

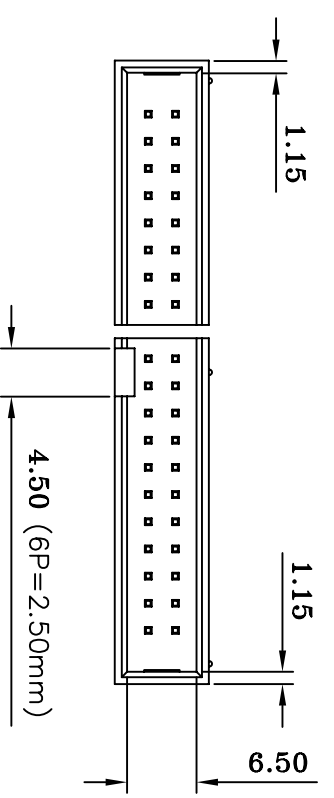
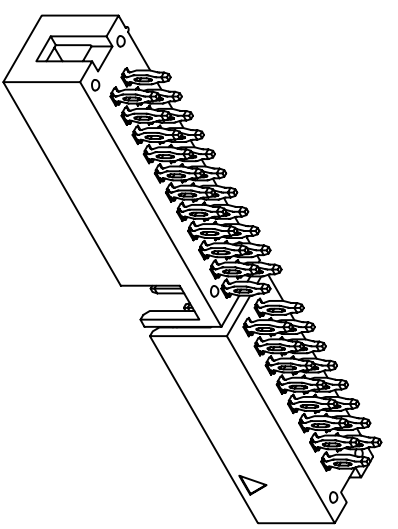
Current Rating: 3 Amps  
 Insulator Resistance: 5000 Megohms min  
 Contact Resistance: 20m ohms max.  
 Dielectric Withstanding: AC 1000 V  
 Operating Temperature: -40° ~ +105° C  
 Contact Material: Copper Alloy  
 Insulator Material: Polyester, UL 94V-0  
 Standard: PBT

Finish: Gold Plated or Duplex Plated  
 Standard: Gold Flash all over

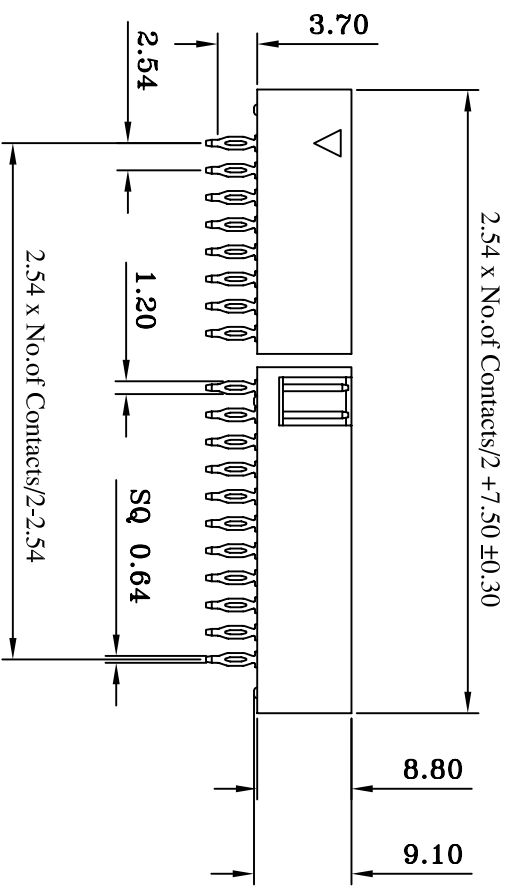
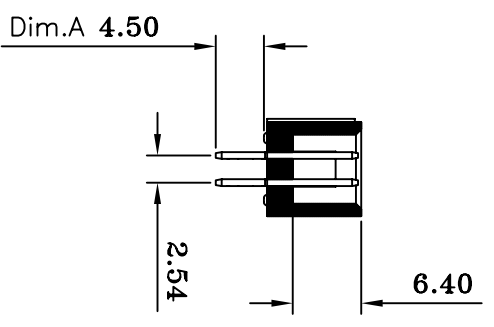
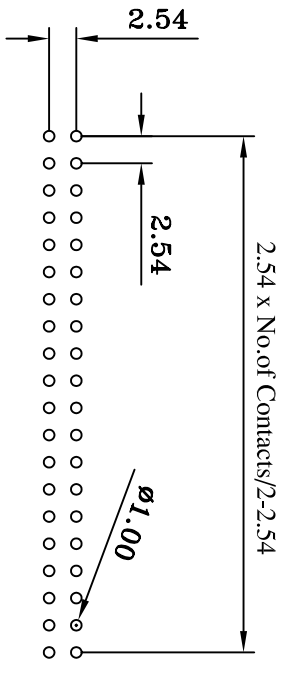
Note:  
 Duplex Plating: Gold Plated on contact area,  
 Tin on solder area

Insulator Material: Polyester, UL 94V-0  
 Standard: Nylon-6T

Max Processing Temp: 230° C for 60 seconds  
 Max Processing Temp: 260° C for 10 seconds



### Recommended P.C. Board Hole Layout



(RoHS Compliant)  
 BH11X G - XX S0 BK X 000 C  
 1 2 3 4 5 6 7 8

- Insulator Material: 6. Contact Plated:
  - A = P.B.T
  - N = Nylon-6T
  - G = Press Fit
  - Circuits: 06~64pin
  - Tail Style:
    - S0 = Straight
    - D = Gold 5u"
  - Color: BK=Black
- Matte Tin over Nickel
- Matte Tin over Nickel 150u"
- Bright Tin over Nickel
- Gold Flash
- Gold Flash, Matte Tin 100u"
- Gold 3u"
- Gold 3u", Matte Tin 100u"
- Gold 5u", Matte Tin 100u"
- Gold 10u", Matte Tin 100u"
- Gold 15u", Matte Tin 100u"
- Gold 30u", Matte Tin 100u"
- Gold 30u", Matte Tin 100u"
- Special Options
- Packing: C=Tray



CONN TOP  
 COMPONENT INC.

PART NO

BH11XG-XXS0BKX000C

.X ±0.3

.XX ±0.20

.XXX ±0.100

1: BH11X-XXBKH0  
 2: PFT1-0.64X13.30AN  
 3:

DRAWING NO

BH-00159

EDITION: C

ITEM: BH

TEL: (02)86481727 FAX: (02)86482427

APPROVAL BY

LN

2009/02/23

SCALE: 1:1  
 UNIT: m.m