

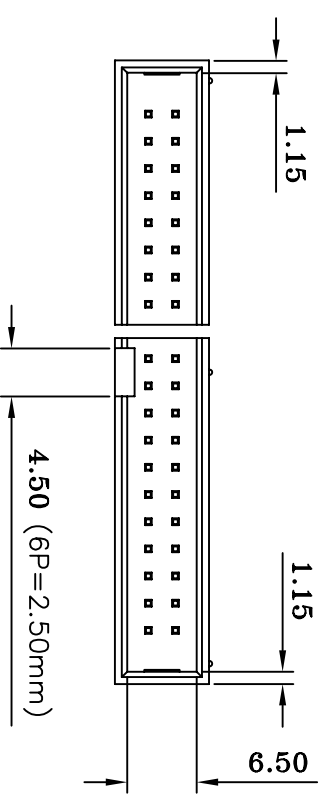
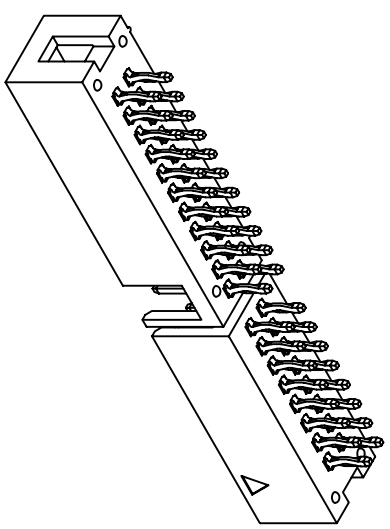
Current Rating: 3 Amps  
 Insulator Resistance: 5000 Megohms min  
 Contact Resistance: 20m ohms max.  
 Dielectric Withstanding: 1000 V AC  
 Operating Temperature: -40° ~ +105° C  
 Contact Material: Copper Alloy  
 Insulator Material: Polyester, UL 94V-0  
 Standard: PBT

Finish: Gold Plated or Duplex Plated  
 Standard: Gold Flash all over

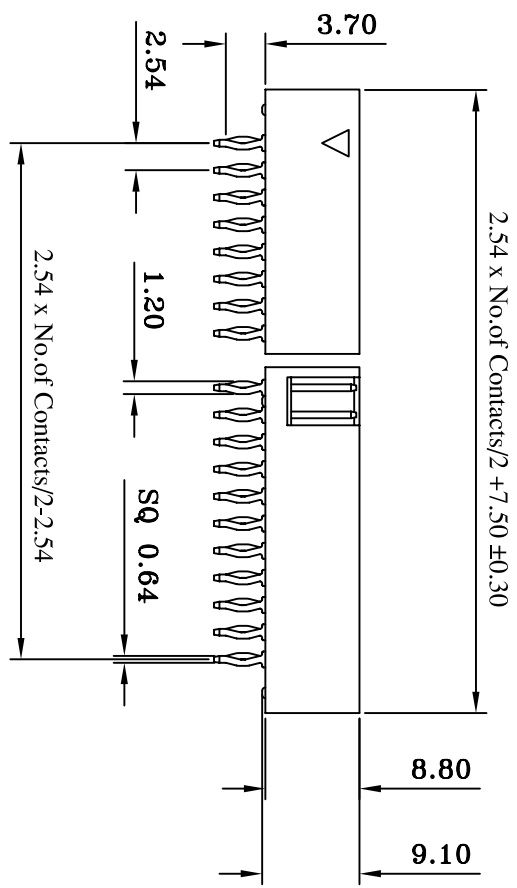
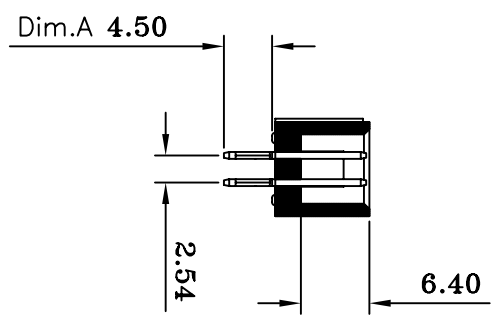
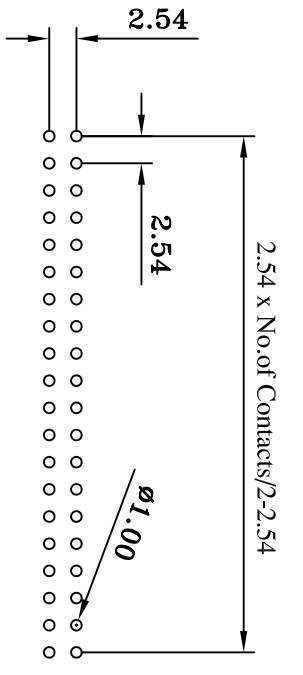
Note:  
 Duplex Plating: Gold Plated on contact area,  
 Tin on solder area

Insulator Material: Polyester, UL 94V-0  
 Standard: Nylon-6T

Max Processing Temp: 230° C for 60 seconds  
 Max Processing Temp: 260° C for 10 seconds



### Recommended P.C. Board Hole Layout



(RoHS Compliant)  
 BH11XR - XX S0 BK X 000 C  
 1 2 3 4 5 6 7 8

- Insulator Material: 6. Contact Plated:  
 A = P.B.T  
 N = Nylon-6T  
 2. R=Press Fit  
 3. Circuits: 06~64pin  
 4. Tail Style:  
 S0= Straight  
 5. Color: BK=Black
- Matte Tin over Nickel  
 Matte Tin over Nickel 150u"  
 Bright Tin over Nickel  
 Gold Flash  
 Gold Flash, Matte Tin 100u"  
 Gold 3u"  
 Gold 3u", Matte Tin 100u"  
 Gold 5u", Matte Tin 100u"
- Gold 10u"  
 Gold 10u", Matte Tin 100u"  
 Gold 15u"  
 Gold 15u", Matte Tin 100u"  
 Gold 30u"  
 Gold 30u", Matte Tin 100u"  
 Special Options
- Packing: C=Tray



CONN TOP  
 COMPONENT INC.

PART NO

BH11XR-XXS0BKX000C

.X ±0.3

.XX ±0.20

.XXX ±0.100

BOM 1:	BH11X-XXBKH0	DRAWING NO	BH-00160	EDITION:	C	SCALE:	BH
BOM 2:	PFT-0.64X13.30AN	DRAWN BY	LN	2009/02/24			
BOM 3:		APPROVAL BY					

TEL: (02)86481727 FAX: (02)86482427

UNIT: m.m