

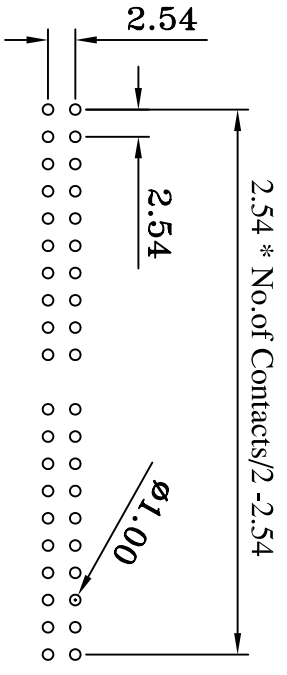
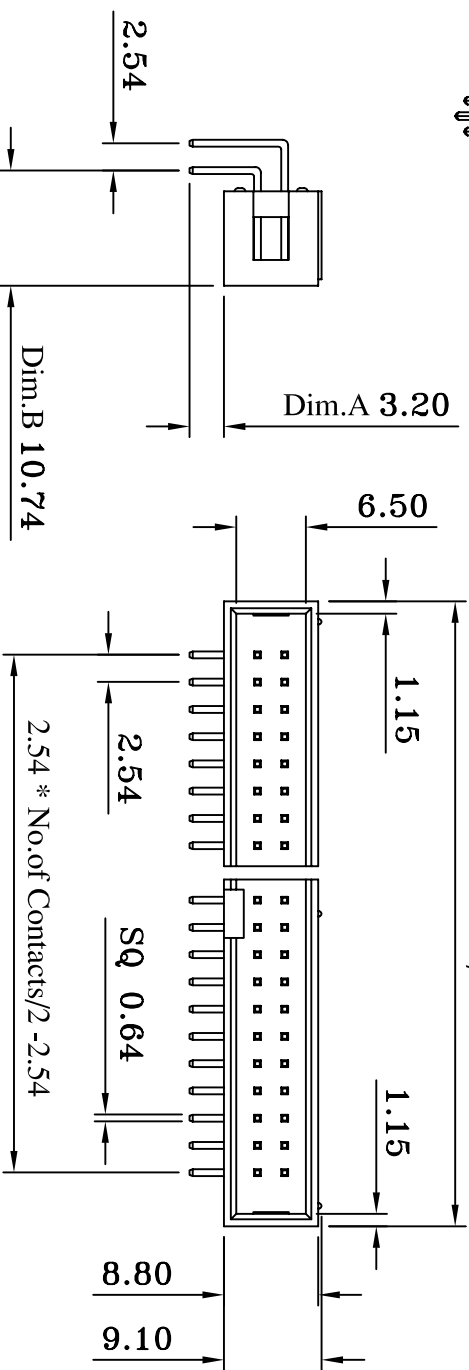
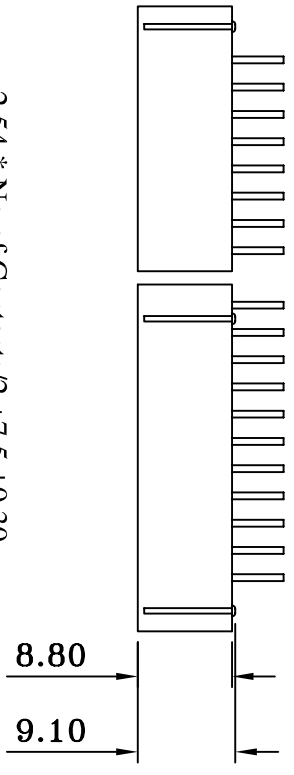
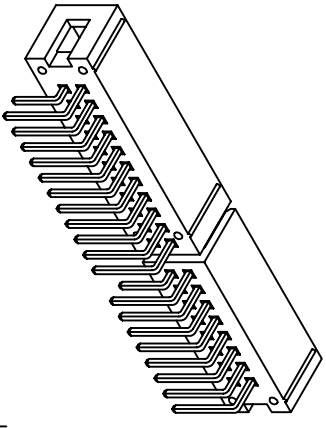
Current Rating: 3 Amps
 Insulator Resistance: 5000 Megohms min
 Contact Resistance: 20m ohms max.
 Dielectric Withstanding: 1000 V AC
 Operating Temperature: -40 ~ +105° C
 Contact Material: Copper Alloy
 Insulator Material: Polyester, UL 94V-0
 Standard: PBT

Finish: Gold Plated or Duplex Plated
 Standard: Gold Flash all over

Note:
 Duplex Plating: Gold Plated on contact area,
 Tin on solder area

Insulator Material: Polyester, UL 94V-0
 Standard: Nylon-6T

Max Processing Temp: 230° C for 60 seconds
 Max Processing Temp: 260° C for 10 seconds



Recommended P.C. Board Hole Layout

(RoHS Compliant)

BH11 X X - XX RZ BK X 000 C

1 2 3 4 5 6 7 8

- Insulator Material:
 - A= P.B.T
 - N= Nylon-6T
 - B= Phosphor Bronze
 - C= Brass
 - Circuits: 06~50 pin
 - Tail Style: RZ= Right Angle
 - Color: BK=Black
- Contact Plated:
 - T=Matte Tin over Nickel
 - W=Matte Tin over Nickel 150u"
 - Y=Bright Tin over Nickel
 - C=Gold Flash
 - F=Gold Flash,Matte Tin 100u"
 - A=Gold 3u"
 - B=Gold 3u",Matte Tin 100u"
 - D=Gold 5u"
- Contact Plated:
 - E=Gold 5u",Matte Tin 100u"
 - G=Gold 10u"
 - J=Gold 10u",Matte Tin 100u"
 - I=Gold 15u"
 - M=Gold 15u",Matte Tin 100u"
 - U=Gold 30u"
 - V=Gold 30u",Matte Tin 100u"
 - Special Options
 - Packing: C=Tray

©: Circuits: 06~64 pin-2008/04/09-C1
 ①: BH11XX-XXRZBKX000-2007/08/21-C



PART NO	BH11XX-XXRZBKX000C	.X	.XX	.XXX
DRAWING NO	BH-00132	±0.3	±0.20	±0.100
DRAWN BY	GARY	C2	EDITION:	SCALE: 1:1
APPROVAL BY			2008/11/14	UNIT: m.m

1: BH11X-XXBKH0
 2: QT-0.64X16.00BN
 3: QT-0.64X21.00BN
 TEL:(02)86481727 FAX:(02)86482427