

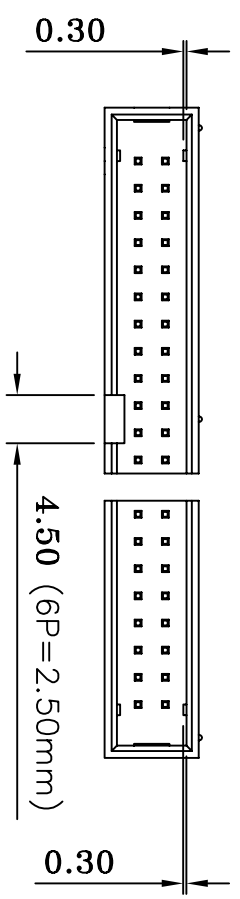
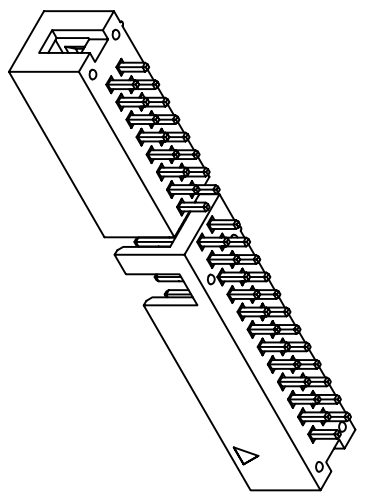
Current Rating: 3 Amps
 Insulator Resistance: 5000 Megohms min
 Contact Resistance: 20m ohms max.
 Dielectric Withstanding: 1000 V AC
 Operating Temperature: -40° ~ +85° C
 Contact Material: Copper Alloy
 Insulator Material: Polyester, UL 94V-0
 Standard: PBT

Finish: Gold Plated or Duplex Plated
 Standard: Gold Flash all over

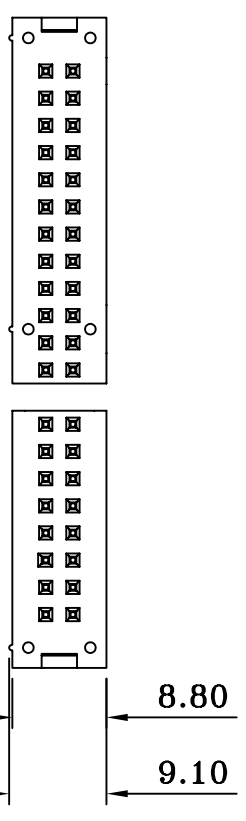
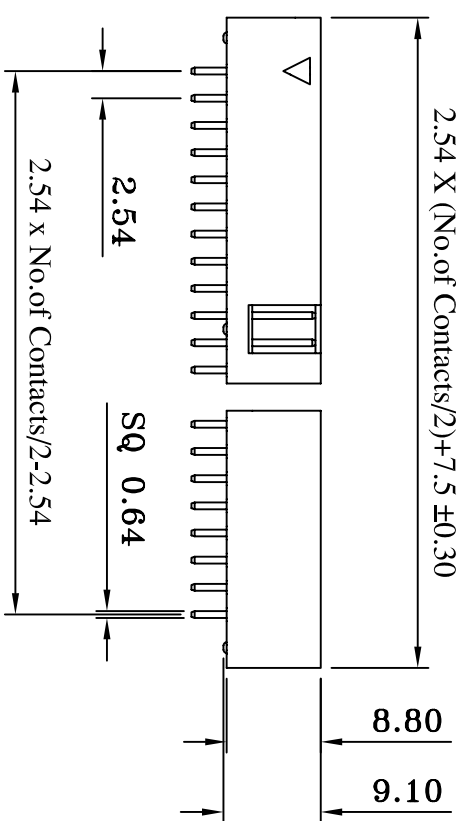
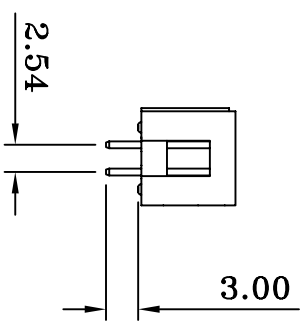
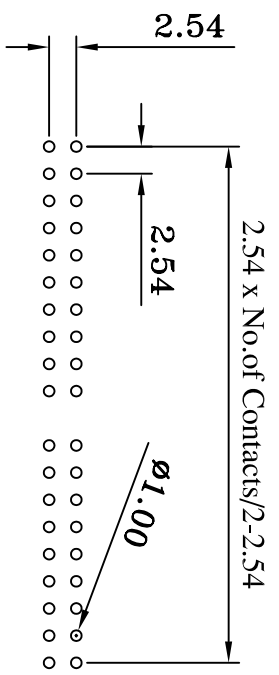
Note:
 Duplex Plating: Gold Plated on contact area,
 Tin on solder area

Insulator Material: Polyester, UL 94V-0
 Standard: Nylon-6T

Max Processing Temp: 230° C for 60 seconds
 Max Processing Temp: 260° C for 10 seconds



Recommended P.C. Board Hole Layout



(RoHS Compliant) BH16 N X - XX S0 BK X 000 C
 1 2 3 4 5 6 7 8

- Insulator Material:
 N= Nylon-6T
 2. A=Phosphor Bronze
 B= Brass
 3. Circuits: 06~64 pin
 4. Tail Style:
 S0= Straight
 5. Color: BK=Black
- Contact Plated:
 T=Matte Tin over Nickel
 W=Matte Tin over Nickel 150u"
 Y=Bright Tin over Nickel
 C=Gold Flash
 F=Gold Flash,Matte Tin 100u"
 A=Gold 3u"
 B=Gold 3u",Matte Tin 100u"
 D=Gold 5u"
- Matte Tin over Nickel 100u"
 Matte Tin over Nickel 150u"
 Bright Tin over Nickel 150u"
 Gold Flash
 Gold Flash,Matte Tin 100u"
 Gold 3u"
 Gold 3u",Matte Tin 100u"
 Gold 5u"
- Special Options
 Packing: C=Tray

©:BH16XX-XXXS0BKX000-2007/04/11-C		CONN TOP COMPONENT INC.		PART NO		BH16XX-XXXS0BKX000C		.X		.XX		.XXX	
1: BH16X-XXBKH0		DRAWING NO		BH-00058		EDITION: C1		±0.3		±0.20		±0.100	
2: QT-0.64X11.60BN		DRAWN BY		LIN		2008/04/11		SCALE: 1:1		ITEM: BH		UNIT: m.m	
3:		APPROVAL BY											
TEL:(02)86481727 FAX:(02)86482427													