

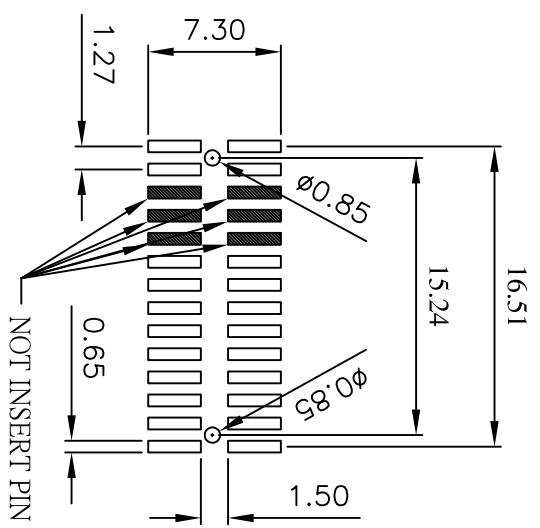
(RoHS Compliant)

BH33 N X - 28 D1 BK X E01 B
 1 2 3 4 5 6 7 8

1. Insulator Material:
N= Nylon-6T
2. A=Phosphor Bronze
B= Brass
3. Circuits: 28 pin
4. Tail Style:
D1 = S.M.D With Peg Type
5. Color: BK=Black
6. Contact Plated:
C=Gold Flash
A=Gold 3u"
D=Gold 5u"
G=Gold 10u"
L=Gold 15u"
U=Gold 30u"
7. E01=05,06,07,08,
09,10,Not Insert Pin
8. Packing:
B= Tube

Current Rating: 1 Amps
 Insulator Resistance: 5000 Megohms min
 Contact Resistance: 20 m ohms max
 Dielectric Withstanding: 500 V AC
 Operating Temperature: -40° ~ +105° C
 Max Processing Temp: 230°C for 60 seconds
 Max Processing Temp: 260° C for 10 seconds
 Contact Material: Copper Alloy
 Insulator Material: Polyester, UL 94V-0
 Standard:Nylon-6T
 Finish: Gold Plated
 Standard: Gold Flash all over

Recommended P.C. Board
 Hole Layout



		PART NO	BH33NX-28D1BKXE01B	.X	±0.3	.XXX	±0.100
1:	BH33N-28BKH11	DRAWING NO	BD-00023	EDITION:	C	ITEM:	BD
2:	QT-0.4X24.50BN	DRAWN BY	GARY	SCALE:	1:1	UNIT:	m.m
3:	H3N20-214BKH3	APPROVAL BY					
TEL:(02)86481727 FAX:(02)86482427							