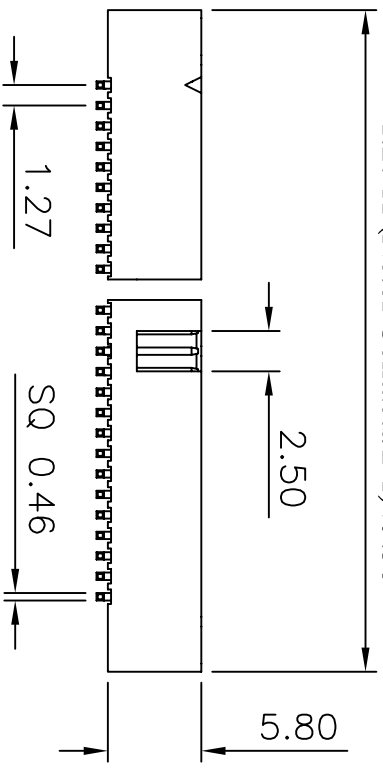
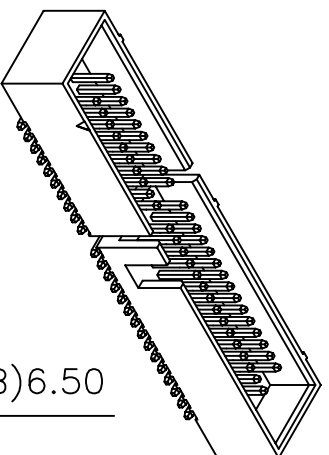
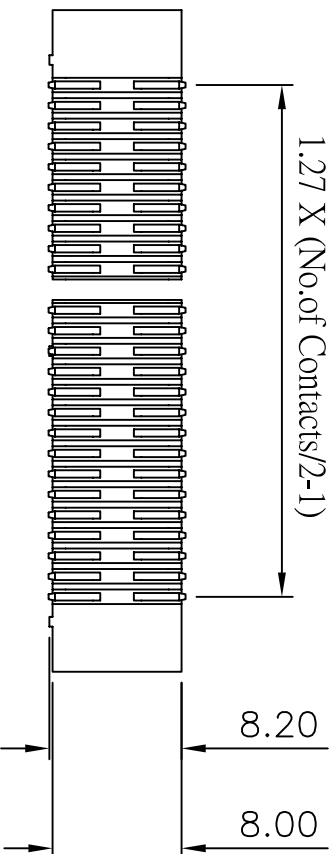


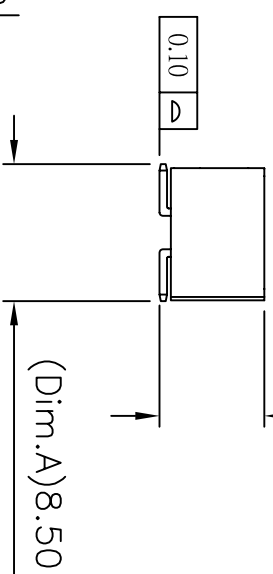
1.27 X (No. of Contacts/2-1)+9.30



1.27 X (No. of Contacts/2-1)



(Dim.B) 6.50



Recommended P.C. Board  
SMD Layout

- Current Rating: 1 Amps
- Insulator Resistance: 5000 Megohms min
- Contact Resistance: 20 m ohms max
- Dielectric Withstanding: 500 V AC
- Operating Temperature: -40° ~ +105° C
- Max Processing Temp: 230° C for 60 seconds
- Max Processing Temp: 260° C for 10 seconds
- Contract Material: Copper Alloy
- Insulator Material: Polyester, UL 94V-0 Standard: Nylon-6T
- Finish: Gold Plated
- Standard: Gold Flash all over

(RoHS Compliant) BH41 N X - XX D0 BK X 000 X

1	2	3	4	5	6	7	8
---	---	---	---	---	---	---	---

1. Insulator Material: Nylon-6T
2. A=Phosphor Bronze
3. Circuits: 10~100 pin
4. Tail Style: D0=SMD No Peg Type
5. Color: BK=Black
6. Contact Plated: C=Gold Flash, A=Gold 3u", D=Gold 5u", G=Gold 10u", L=Gold 15u", U=Gold 30u"
7. Special Options: B= Tube, C= Tray, N= Top & Reel

◎:BH41NX-XXD0BKX000-2007/06/01-C  
CONN TOP COMPONENT INC.

PART NO	BH41NX-XXD0BKX000X	.X	.XX	.XXX
DRAWING NO	BH-00085	±0.3	±0.20	±0.100
DRAWN BY	GARY	EDITION: C1	ITEM: BH	SCALE: 1:1
APPROVAL BY				UNIT: m.m

BOM 1:	BH41N-XXBKX0
BOM 2:	QT-0.46X8.50BN
BOM 3:	0

TEL: (02)86481727	FAX: (02)86482427
-------------------	-------------------