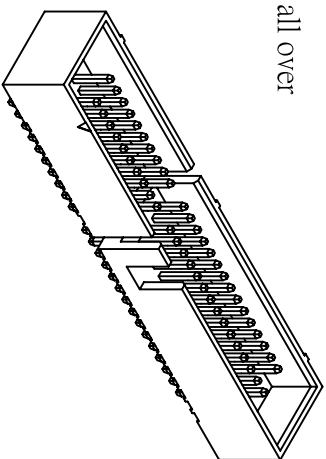
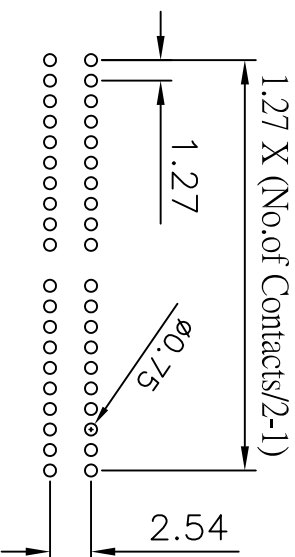


Current Rating: 1 Amps
 Insulator Resistance: 5000 Megohms min
 Contact Resistance: 20 m ohms max
 Dielectric Withstanding: 500 V AC
 Operating Temperature: -40° ~ +105° C
 Max Processing Temp: 230°C for 60 seconds
 Max Processing Temp: 260° C for 10 seconds
 Contact Material: Copper Alloy
 Insulator Material: Polyester; UL 94V-0
 Standard: Nylon-6T



(Dim.A) 3.00

Recommended P.C. Board
 Hole Layout



(RoHS Compliant) BH41 N X - XX S0 BK X 000 X
 1 2 3 4 5 6 7 8

- Insulator Material: N= Nylon-6T
- A=Phosphor Bronze
- Circuits: 10~100 pin
- Taill Style: S0= Straight
- Color: BK=Black
- Contact Plated: C=Gold Flash, A=Gold 3u", D=Gold 5u", G=Gold 10u", L=Gold 15u", U=Gold 30u"
- Special Options: B= Tube, C= Troy, N= Top & Reel



CONN TOP
 COMPONENT INC.

Ⓞ: BH41NX-XXS0BKX000-2007/06/01-C

1:	BH41N-XXBKHX0
BOM 2:	QT-0.46X 8.50BN
3:	0

PART NO	BH41NX-XXS0BKX000X	.X	.XX	.XXX
DRAWING NO	BH-00086	±0.3	±0.20	±0.100
DRAWN BY	GARY	EDITION: C1	ITEM: BH	SCALE: 1:1
APPROVAL BY				UNIT: m.m

TEL: (02)86481727 FAX: (02)86482427