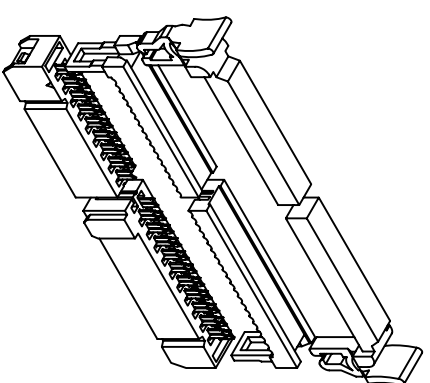


CONTACT	DIMENSION				
	A	B	C	D	E
10P	17.26	10.16	13.35	3.60	13.70
14P	22.34	15.24	13.35	3.60	18.78
16P	24.88	17.78	13.35	3.60	21.30
20P	29.96	22.86	13.35	3.60	26.38
24P	35.04	27.94	13.35	3.60	31.46
26P	37.58	30.48	13.35	3.60	34.00
34P	47.74	40.64	13.35	3.60	44.48
40P	55.36	48.26	13.35	3.60	52.10



MATERIALS:
 INSULATOR:P.B.T.30%GLASS FIBER, UL94V-0
 CONTACT MATERIAL:BRASS OR PHOSPHOR
 BRONZE,GOLD FLASH OVER NICKEL
ELECTRICAL:
 CURRENT RATING:1AMP DC
 INSULATION RESISTANCE:3000MQ MIN.
 CONTACT RESISTANCE:30mΩ MAX.
 DIELECTRIC WITHSTANDING:500V AC
 OPERATING TEMPERATURE:-40°C~+105°C
 TERMINATED WITH 1.27mm PITCH FLAT RIBBON CABLE.

FC-115 - XX B0 BK N 000 C
 1 2 3 4 5 6

- (RoHS Compliant)
- Circuits: 06 to 50pin
 - Material:
 - B0=Brass 4kg
 - B4=Brass 4kg
 - B6=Brass 6kg
 - P0=Phosphor Bronze 4kg
 - P4=Phosphor Bronze 4kg
 - P6=Phosphor Bronze 6kg
 - Color: BK=Black GR=Grey
 - Contact Plated:
 - T=Matte Tin over Nickel
 - W=Matte Tin over Nickel 150u"
 - Y=Brighe Tin over Nickel
 - C=Gold Flash
 - F=Gold Flash,Matte Tin 100u"
 - A=Gold 3u"
 - B=Gold 3u",Ni 50u"
 - D=Gold 5u"
 - E=Gold 5u",Ni 50u"
 - G=Gold 10u"
 - J=Gold 10u",Ni 50u"
 - L=Gold 15u"
 - M=Gold 15u",Ni 50u"
 - U=Gold 30u"
 - V=Gold 30u",Ni 50u"
 - N=Gold Flash , Ni
 - Special Options
 - Packing: C=Troy

		CONN TOP COMPONENT INC.	
PART NO		FC-115-XXB0BK N000C	.X ±0.30
DRAWING NO		FC-00102	.XX ±0.20
DRAWN BY		GARY	ITEM: FC
APPROVAL BY			SCALE: 1:1
TEL:(02)86481727 FAX:(02)86482427			UNTT: m.m