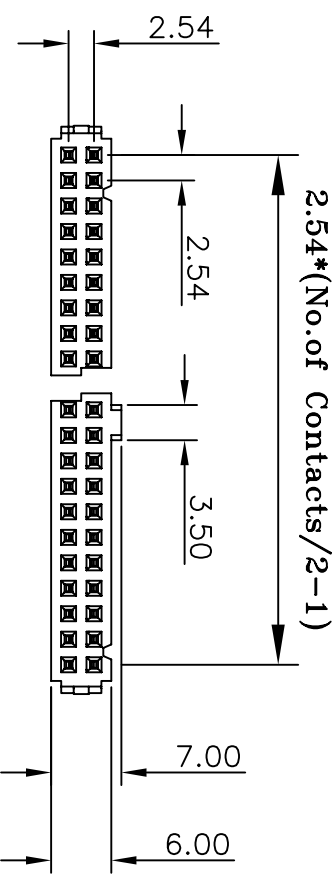


MATERIALS:
 INSULATOR:P.B.T.30%GLASS FIBER,UL94V-0
 CONTACT MATERIAL:BRASS OR PHOSPHOR
 BRONZE,GOLD FLASH OVER NICKEL
ELECTRICAL:
 CURRENT RATING:1AMP.
 INSULATION RESISTANCE:1000M Ω MIN.
 CONTACT RESISTANCE:30m Ω MAX
 DIELECTRIC WITHSTANDING:500VAC
 OPERATING TEMPERATURE:-40°C~+85°C



(RoHS Compliant)

1. Circuits: 10 to 64pin

2. Material:

- B0=Brass 4kg
- B4=Brass 6kg
- B6=Brass 6kg
- P0=Phosphor Bronze 4kg
- P4=Phosphor Bronze 6kg
- P6=Phosphor Bronze 6kg
- Color: BK=Black
- GR=Gray

4. Contact Plated:

- T=Matte Tin over Nickel
- W=Matte Tin over Nickel 150u"
- Y=Brighe Tin over Nickel
- C=Gold Flash
- F=Gold Flash,Tin 100u"
- U=Gold 30u"
- V=Gold 30u",Ni 50u"
- N=Gold Flash , Ni
- D=Gold 5u"

FC-16 - XX B0 BK N 000
 1 2 3 4 5

CIRCUITS	A	CIRCUITS	A
10	17.24	32	45.18
14	22.32	34	47.72
16	24.86	40	55.34
20	29.94	50	68.04
24	35.02	60	80.74
26	37.56	64	85.82
30	42.64		



CONN TOP
 COMPONENT INC.

PART NO	FC-16-XXB0BKNN000	X	±0.2	.XX
DRAWING NO	2540-00018	C	ITEM:	2540
DRAWN BY	GARY		SCALE:	1:1
APPROVAL BY			UNIT:	m.m

1: FC-16-XXB0KHP
 2: FC-19-XXBKM0
 3: FCT-B
 TEL:(02)86481727 FAX:(02)86482427