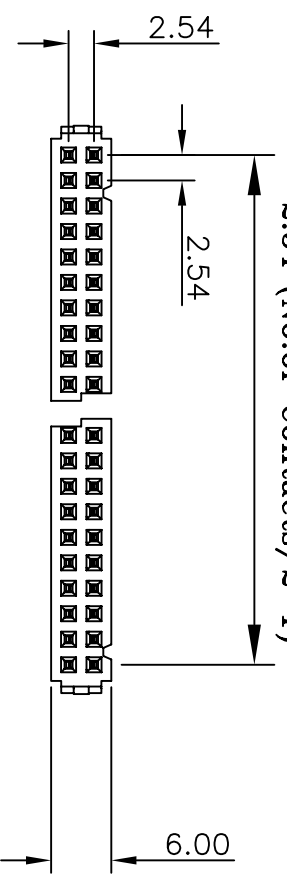
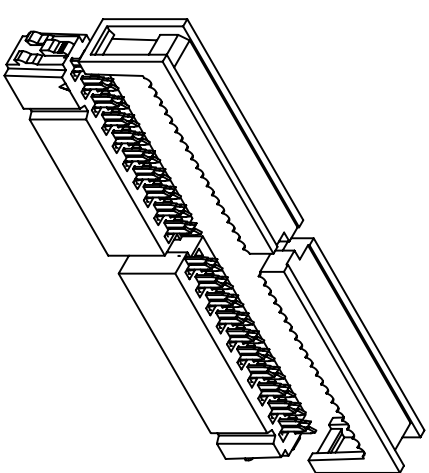


2.54*(No.of Contacts/2-1)



MATERIALS:
 INSULATOR:P.B.T.30%GLASS FIBER,UL94V-0
 CONTACT MATERIAL:BRASS OR PHOSPHOR
 BRONZE,GOLD FLASH OVER NICKEL
ELECTRICAL:
 CURRENT RATING:1AMP.
 INSULATION RESISTANCE:1000M Ω MIN.
 CONTACT RESISTANCE:30m Ω MAX
 DIELECTRIC WITHSTANDING:500VAC
 OPERATING TEMPERATURE:-40°C~+85°C



CIRCUITS	A	CIRCUITS	A
10	17.24	32	45.18
14	22.32	34	47.72
16	24.86	40	55.34
20	29.94	50	68.04
24	35.02	60	80.74
26	37.56	64	85.82
30	42.64		

FC-17 - XX B0 BK N 000
 1 2 3 4 5

(RoHS Compliant)

1. Circuits: 10 to 64pin

2. Material:

B0=Brass 4kg

B4=Brass 6kg

B6=Brass 6kg

P0=Phosphor Bronze 4kg

P4=Phosphor Bronze 4kg

P6=Phosphor Bronze 6kg

3. Color: BK=Black

GR=Gray

4. Contact Plated:

T=Matte Tin over Nickel

W=Matte Tin over Nickel 150u"

Y=Brighe Tin over Nickel

C=Gold Flash

F=Gold Flash,Tin 100u"

A=Gold 3u"

B=Gold 3u",Ni 50u"

D=Gold 5u"

E=Gold 5u",Ni 50u"

G=Gold 10u"

J=Gold 10u",Ni 50u"

L=Gold 15u"

M=Gold 15u",Ni 50u"

U=Gold 30u"

V=Gold 30u",Ni 50u"

N=Gold Flash , Ni

5. Special Options



CONN TOP
 COMPONENT INC.

PART NO

FC-17-XXB0BKNN000

X

.X

.XX

DRAWING NO

2540-00021

EDITION: C

ITEM: 2540

DRAWN BY

GARY

2007/04/23

SCALE: 1:1

APPROVAL BY

UNIT: m.m

TEL: (02)86481727 FAX: (02)86482427