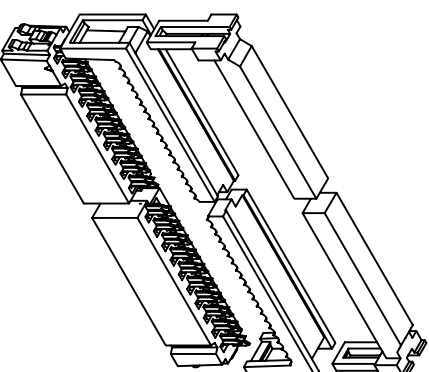


MATERIALS:
 INSULATOR:P.B.T.30%GLASS FIBER UI94V-0
 CONTACT MATERIAL:BRASS OR PHOSPHOR
 BRONZE,GOLD FLASH OVER NICKEL
ELECTRICAL:
 CURRENT RATING:1AMP DC
 INSULATION RESISTANCE:3000MQ MIN.
 CONTACT RESISTANCE:30mΩ MAX.
 DIELECTRIC WITHSTANDING:500V AC
 OPERATING TEMPERATURE:-40°C~+105°C
 TERMINATED WITH 1.27mm PITCH FLAT RIBBON CABLE.



CIRCUITS	A	B	CIRCUITS	A	B
10	17.24	13.04	32	45.18	40.98
14	22.32	18.12	34	47.72	43.52
16	24.86	20.66	40	55.34	51.14
20	29.94	25.74	50	68.04	63.84
24	35.02	30.82	60	80.74	76.54
26	37.56	33.36	64	85.82	81.62
30	42.64	38.44			

FC-178 - XX B0 BK N 000 C

1 2 3 4 5 6

- Circuits: 60 to 64pin
- Material:
 - B0=Brass 4kg
 - B4=Brass 4kg
 - B6=Brass 6kg
 - P0=Phosphor Bronze 4kg
 - P4=Phosphor Bronze 4kg
 - P6=Phosphor Bronze 6kg
 - Color: BK=Black GR=Grey
- Contact Plated:
 - T=Matte Tin over Nickel
 - W=Matte Tin over Nickel 150u"
 - Y=Bright Tin over Nickel
 - C=Gold Flash
 - F=Gold Flash,Tin 100u"
 - A=Gold 3u"
 - B=Gold 3u",Ni 50u"
 - D=Gold 5u"
 - E=Gold 5u",Ni 50u"
 - G=Gold 10u"
 - J=Gold 10u",Ni 50u"
 - L=Gold 15u"
 - M=Gold 15u",Ni 50u"
 - U=Gold 30u"
 - V=Gold 30u",Ni 50u"
 - N=Gold Flash , Ni
- Special Options
- Packing: C= Troy

CONN TOP COMPONENT INC.
 1: FC-17-XXXBKHD
 2: FC-18-XXXBKSR
 3: FC-19-XXXBKMD 4.FCT-B

PART NO FC-178-XXXB0BK N000C
 DRAWING NO 2540-00020
 DRAWN BY GARY
 EDITION: C1
 X .X
 F0.3
 XX .XXX
 F0.20
 XXX F0.100
 ITEM: 2540
 SCALE: 1:1
 UNIT: m.m

TEL:(02)86481727 FAX:(02)86482427 APPROVAL BY