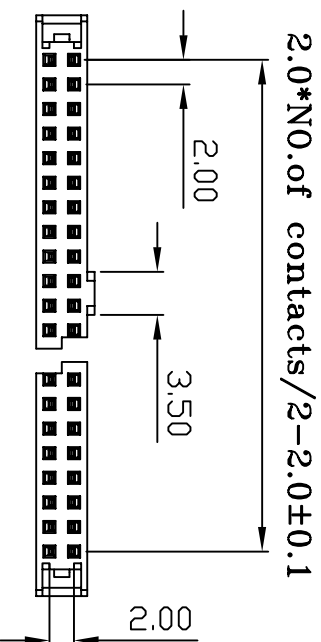
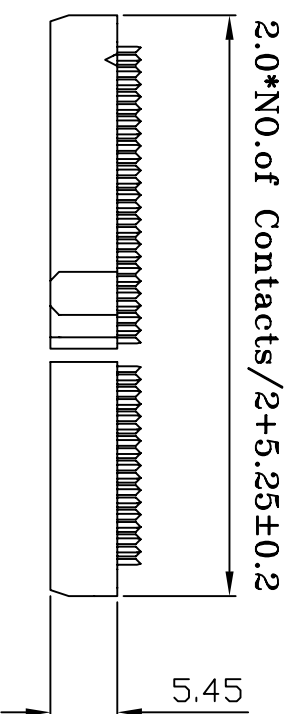
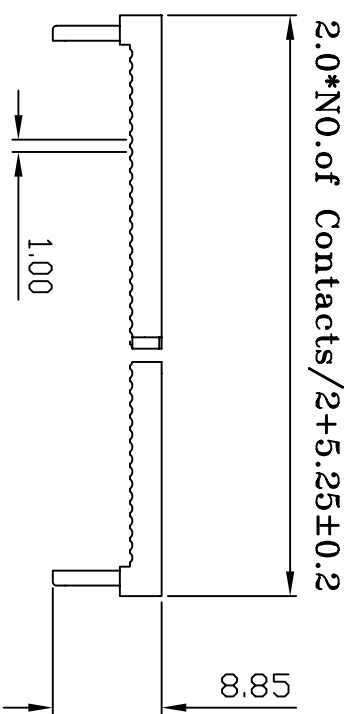
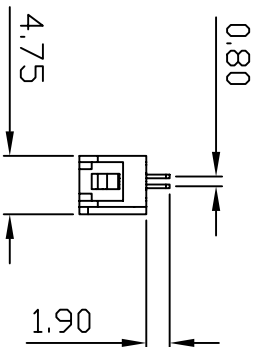
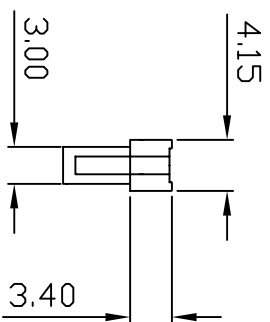
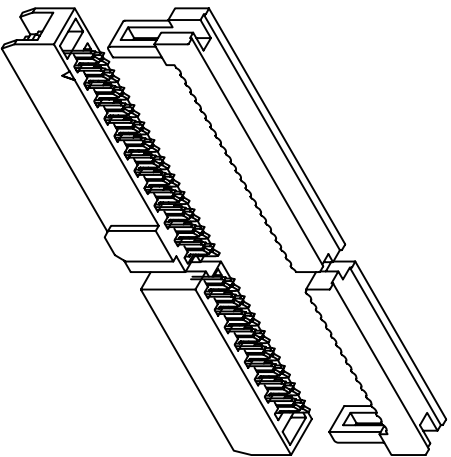


**MATERIALS:**  
 INSULATOR:P.B.T.30%GLASS FIBER,UL94V-0  
 CONTACT MATERIAL:BRASS OR PHOSPHOR BRONZE,  
 GOLD FLASH OVER NICKEL

**ELECTRICAL:**  
 CURRENT RATING:1AMP.  
 INSULATION RESISTANCE:1000M Ω MIN.  
 DIELECTRIC WITHSTANDING:500VAC  
 OPERATING TEMPERATURE:-45°C~+85°



FC-21 - XX P0 BK N 000 C  
 1 2 3 4 5 6

(RoHS Compliant)

1. Circuits: 06 to 68pin

2. Material:

P0=Phosphor Bronze

P4=Phosphor Bronze 4kg

3. Color: BK=Black

GR=Gray

4. Contact Plated:

T=Tin over Nickel

C=Gold Flash

F=Gold Flash, Tin 100u"

A=Gold 3u"

B=Gold 3u", Ni 50u"

D=Gold 5u"

G=Gold 10u"

J=Gold 10u", Ni 50u"

L=Gold 15u"

M=Gold 15u", Ni 50u"

U=Gold 30u"

V=Gold 30u", Ni 50u"

N=Gold Flash, Ni

5. Special Dptions

6. Packing: C= Tray

①:FC-21-XXXP0BK N000-2007/05/22-C1

②:FAT-AP-2007/05/22-C1

③:FC-21-XXXB0BK N000-2007/04/23-C



CONN TOP  
 COMPONENT INC.

1: FA-21-XXXBKH0

2: FC-24-XXXBKM0

3: ②:FAT-AP or FAT-APX4

PART NO

FC-21-XXXP0BK N000C

.X  
 ±0.3

.XX  
 ±0.20

.XXX  
 ±0.100

DRAWING NO

FA-00026

EDITION: C2

ITEM: FA

SCALE: 1:1

DRAWN BY

GARY

2009/03/17

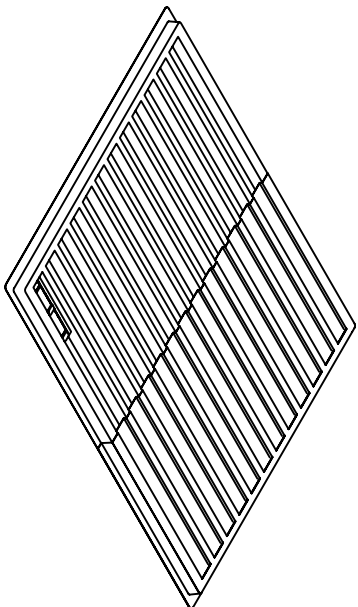
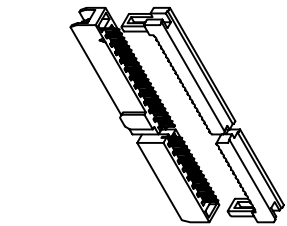
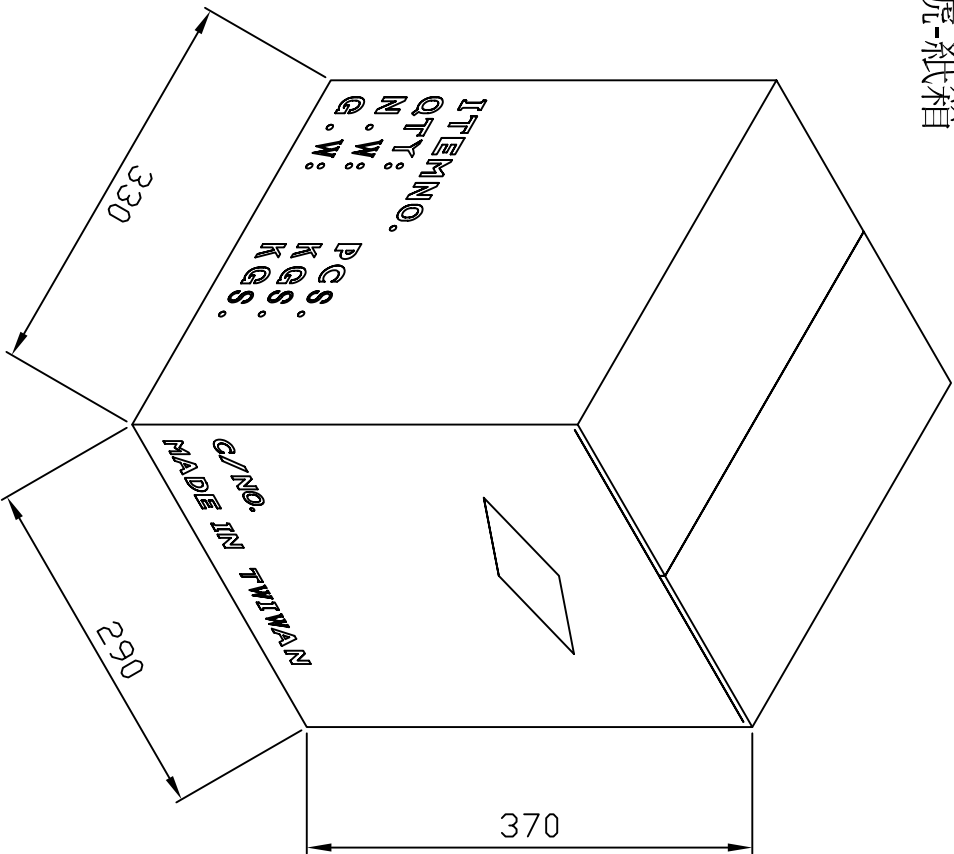
SCALE: 1:1

APPROVAL BY

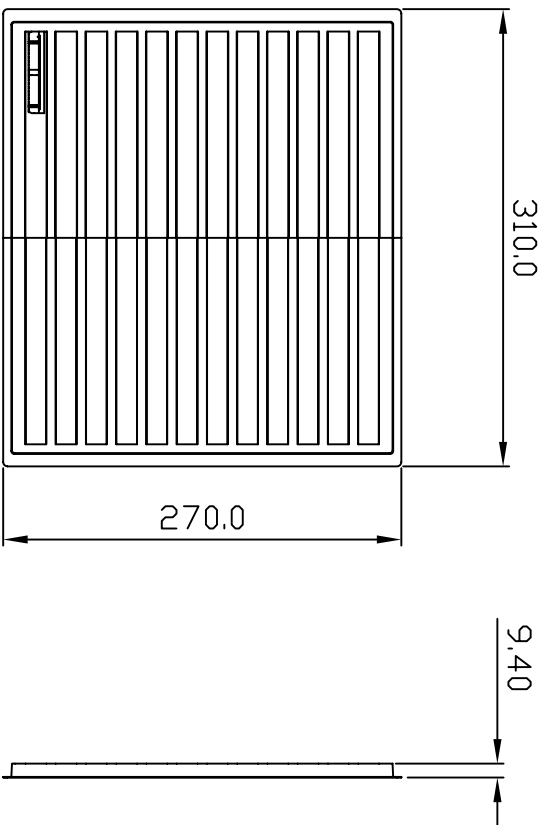
UNIT: m.m

TEL:(02)86481727 FAX:(02)86482427

4 號-紙箱



PART NO	CONTACTS	TRAY	CARTON	KGS	
				N/W	G/W
FC-21-06B0BKN000	FC-06P	288	20160	13.0	14.0
FC-21-08B0BKN000	FC-08P	240	16800	12.5	13.5
FC-21-10B0BKN000	FC-10P	216	15120	13.5	14.5
FC-21-12B0BKN000	FC-12P	192	13440	13.5	14.5
FC-21-14B0BKN000	FC-14P	168	11760	13.5	14.5
FC-21-16B0BKN000	FC-16P	156	10920	14.0	15.0
FC-21-20B0BKN000	FC-20P	132	9240	14.0	15.0
FC-21-22B0BKN000	FC-22P	120	8400	14.0	15.0
FC-21-24B0BKN000	FC-24P	108	7500	13.5	14.5
FC-21-26B0BKN000	FC-26P	96	6720	13.0	14.0
FC-21-30B0BKN000	FC-30P	84	5880	13.0	14.0
FC-21-34B0BKN000	FC-34P	84	5880	14.5	15.5
FC-21-40B0BKN000	FC-40P	72	5040	14.0	15.0
FC-21-44B0BKN000	FC-44P	60	4200	13.0	14.0
FC-21-50B0BKN000	FC-50P	60	4200	14.5	15.5



		PART NO		FC-21-XXXPOBKN000C		X	X	.XX
CONN TOP COMPONENT INC.		DRAWING NO		BOX-00004		±20.0	±0.50	±0.50
BOM 1: 0		DRAWN BY		GARY		EDITION: C		ITEM: BOX
BOM 2: 0		APPROVAL BY				2007/10/02		SCALE: 1:1
BOM 3: 0								UNIT: mm
TEL: (02)86481727 FAX: (02)86482427								