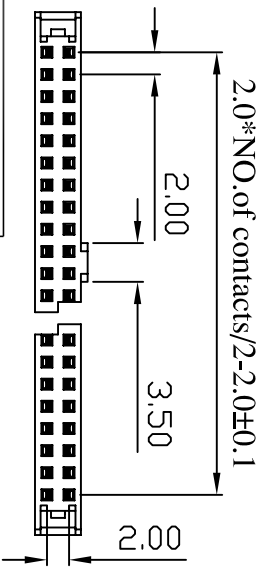
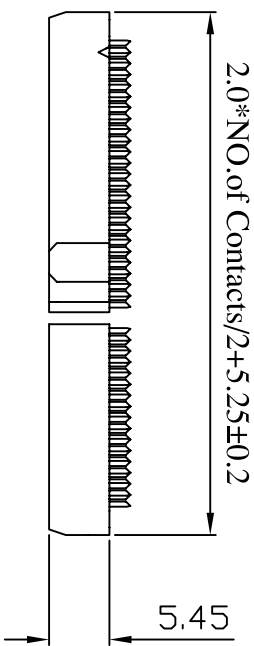
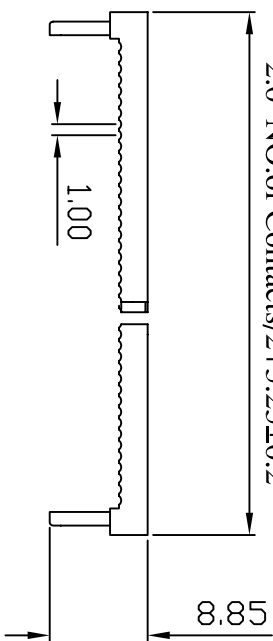
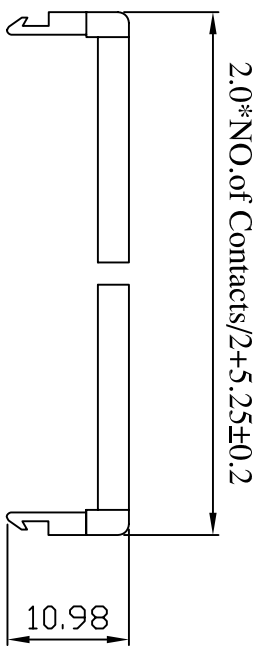
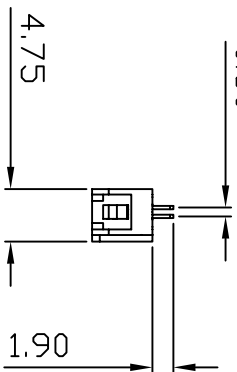
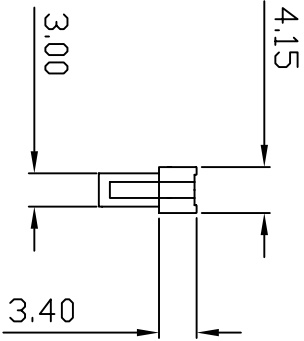
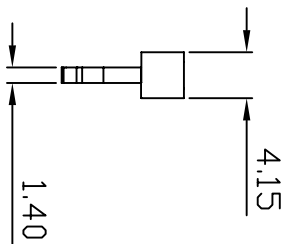
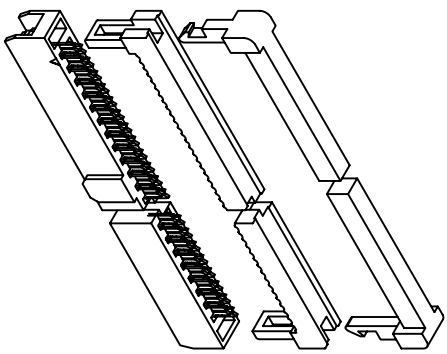


**MATERIALS:**  
 INSULATOR:P.B.T.30%GLASS FIBER,UI94V-0  
 CONTACT MATERIAL:BRASS OR PHOSPHOR BRONZE,  
 GOLD FLASH OVER NICKEL

**ELECTRICAL:**  
 CURRENT RATING:1AMP.  
 INSULATION RESISTANCE:5000M Ω MIN.  
 DIELECTRIC WITHSTANDING:500VAC  
 OPERATING TEMPERATURE:-45°C~+105°C



FC-213 - XX P0 BK N 000 C  
 1 2 3 4 5 6

(RoHS Compliant)

- Circuits:
  - ③: .10 to 50pin
- Material:
  - P0=Phosphor Bronze
  - 3. Color: BK=Black
  - GR=Gray
- Contact Plated:
  - T=Tin over Nickel
  - C=Gold Flash
  - F=Gold Flash,Tin 100u"
  - A=Gold 3u"
  - B=Gold 3u",Ni 100u"
  - D=Gold 5u"
  - E=Gold 5u",Ni 100u"
- Special Dptions
  - G=Gold 10u"
  - J=Gold 10u",Ni 100u"
  - L=Gold 15u"
  - M=Gold 15u",Ni 100u"
  - U=Gold 30u"
  - V=Gold 30u",Ni 100u"
  - N=Gold Flash, Ni
- Packing: C=Tray

③:06 to 68pin-2009/02/18-C2

②:FC-213-XXXP0BK N000-2007/05/22-C1

①:FC-213-XXXB0BK N000-2007/04/23-C

**CONN TOP COMPONENT INC.**

PART NO FC-213-XXP0BK N000C

X .XX .XXX  
 ±0.3 ±0.20 ±0.100

BOM	1: FC-213-XXXBKM0	DRAWING NO	FA-00035	EDITION: C3	ITEM: FA
	2: FC-213-XXXBSR	DRAWN BY	GARY	2009/05/11	SCALE: 1:1
	3: FA-21-XXXBKM0				
	4: FAT-AP				

TEL:(02)86481727 FAX:(02)86482427

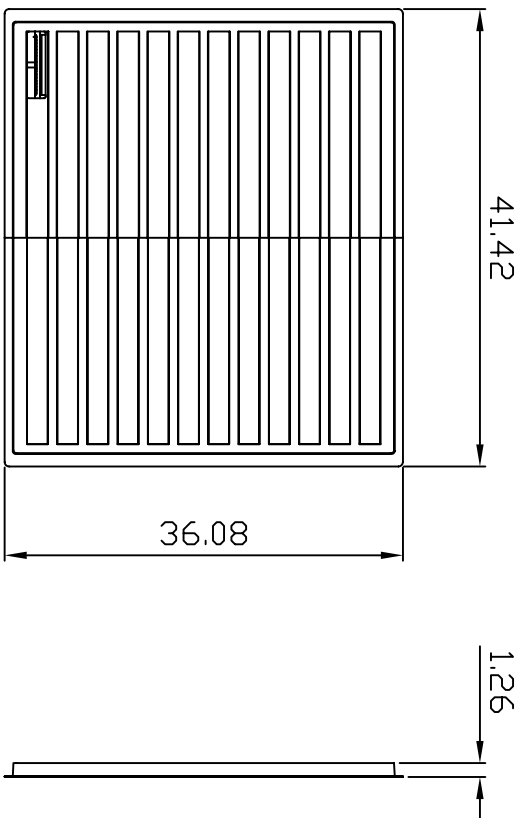
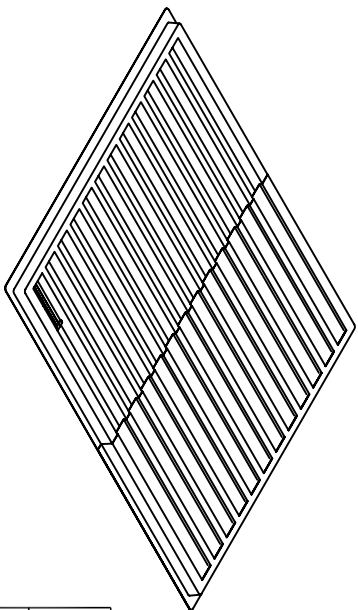
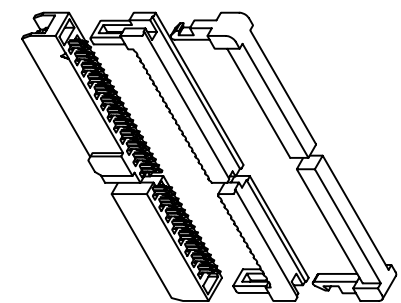
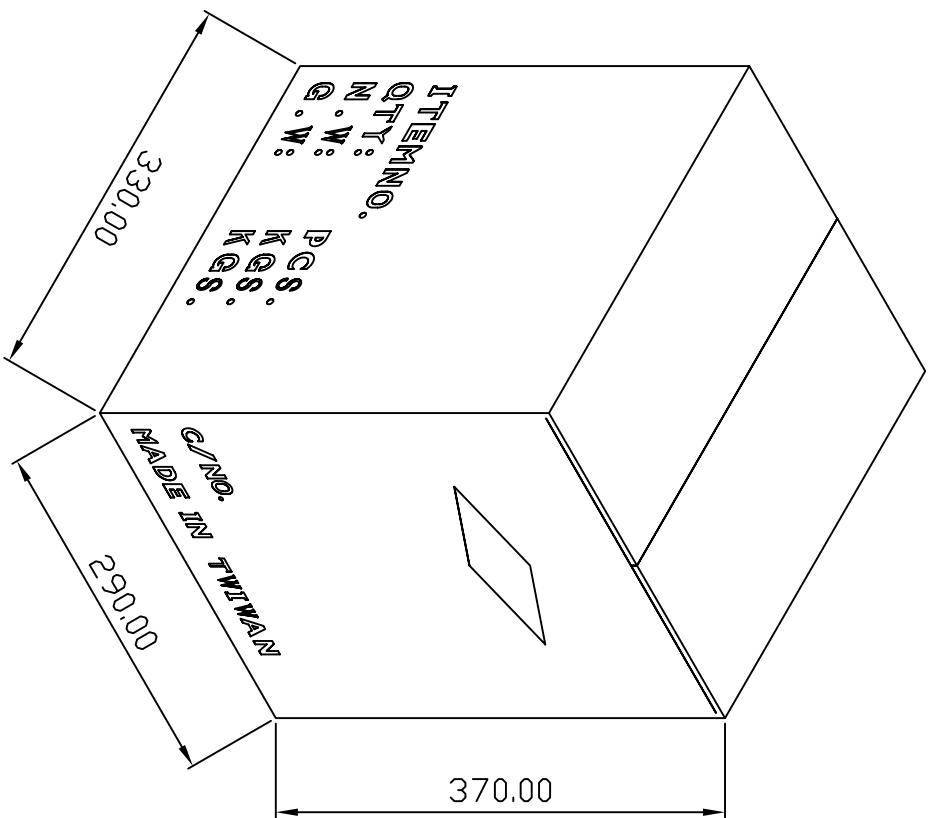
APPROVAL BY

UNIT: m.m

4號紙箱

DIMENSIONS

PART NO	PCS/TUBE	TUBE/CARTON	KGS	
			N.W	G.W
FC-213-10B0BK000	216	10800	12.0	13.0
FC-213-12B0BK000	192	9600	12.0	13.0
FC-213-14B0BK000	168	8400	11.5	12.5
FC-213-16B0BK000	156	7800	11.0	12.0
FC-213-20B0BK000	132	6600	10.5	11.5
FC-213-22B0BK000	120	6000	11.5	12.5
FC-213-24B0BK000	108	5400	12.0	13.0
FC-213-26B0BK000	96	6720	12.5	13.5
FC-213-30B0BK000	84	4200	11.0	12.0
FC-213-34B0BK000	84	4200	12.0	13.0
FC-213-40B0BK000	72	3600	11.5	12.5
FC-213-44B0BK000	60	3000	11.0	12.0
FC-213-50B0BK000	60	3000	12.0	13.0



CONN TOP  
COMPONENT INC.

PART NO

FC-213-XXB0BK000  
(Tray)

X .X .XX  
±20.0 ±0.50 ±0.50

1: 4號紙箱

DRAWING NO

BOX-00006

EDITION: C

ITEM: PL

BOM 2: ZB-12FC-U

DRAWN BY

GARY

2007/10/02

SCALE: 1:1

3: ZB-12FC-D

APPROVAL BY

UNIT: mm

TEL: (02)86481727 FAX: (02)86482427