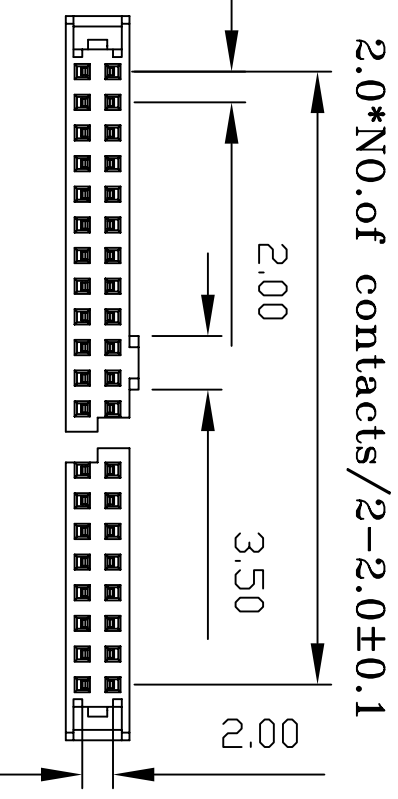
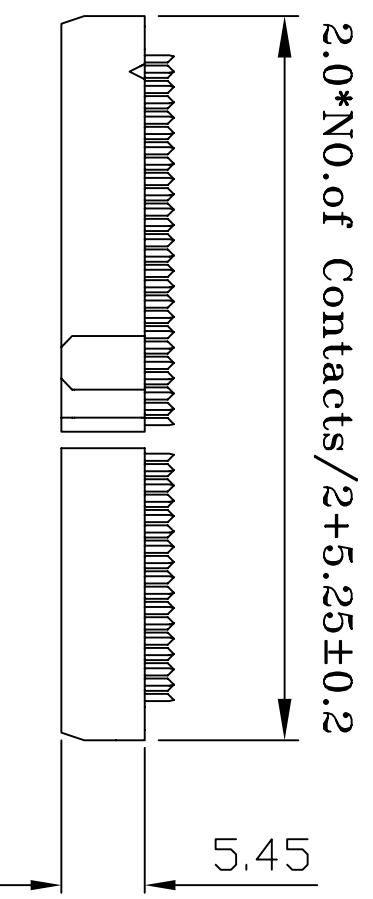
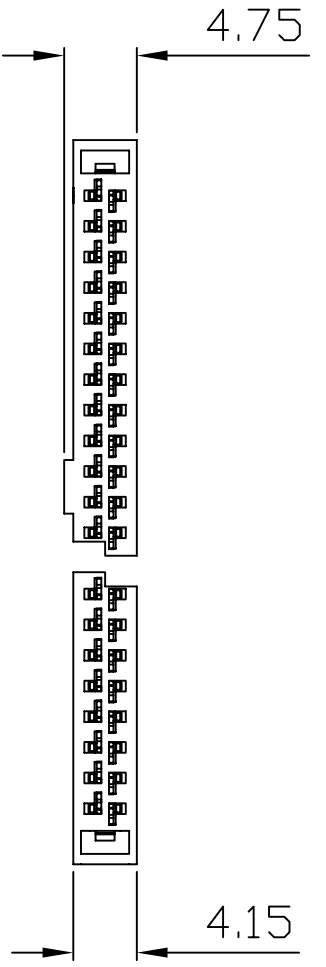
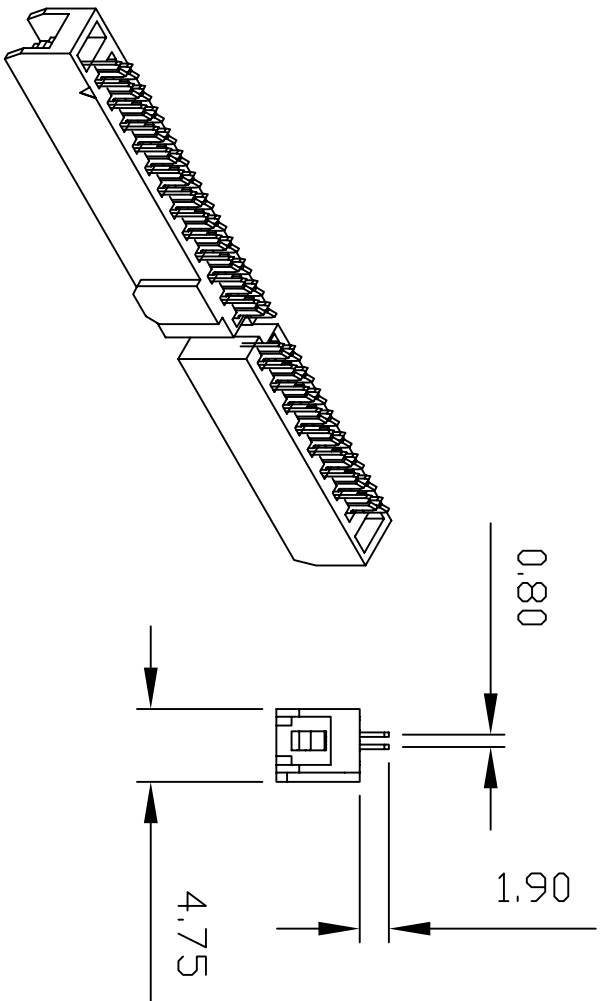



**MATERIALS:**  
 INSULATOR:P.B.T.30%GLASS FIBER,UL94V-0  
 CONTACT MATERIAL:BRASS OR PHOSPHOR BRONZE,  
 GOLD FLASH OVER NICKEL

**ELECTRICAL:**  
 CURRENT RATING:1AMP.  
 INSULATION RESISTANCE:1000M Ω MIN.  
 DIELECTRIC WITHSTANDING:500VAC  
 OPERATING TEMPERATURE:-45°C~+85°



FC-21Y - XX P0 BK N 000  
 1 2 3 4 5

- (RoHS Compliant)
- Circuits: 06 to 68pin
  - Material:
    - P0=Phosphor Bronze
    - A=Gold 3u"
    - B=Gold 3u",Ni 50u"
    - D=Gold 5u"
    - E=Gold 5u",Ni 50u"
  - Color: BK=Black  
GR=Gray
  - Contact Plated:
    - T=Tin over Nickel
    - C=Gold Flash
    - F=Gold Flash,Tin 100u"
    - A=Gold 3u"
    - B=Gold 30u",Ni 50u"
    - D=Gold 30u",Ni 50u"
    - N=Gold Flash, Ni
    - G=Gold 10u"
    - J=Gold 10u",Ni 50u"
    - L=Gold 15u"
    - M=Gold 15u",Ni 50u"
    - U=Gold 30u"
    - V=Gold 30u",Ni 50u"
  - Special Options

①:FC-21Y-XXB0BK000-2007/04/23-C			
 CONN TOP COMPONENT INC.		PART NO	FC-21Y-XXP0BK000
BOM 1:	FA-21-XXBK00	DRAWING NO	FA-00009
BOM 2:	FAT-AP	DRAWN BY	GARY
BOM 3:	0	EDITION:	C1
TEL:(02)86481727 FAX:(02)86482427		APPROVAL BY	
		X	±0.2
		.X	±0.2
		.XX	±0.2
		ITEM:	FA
		SCALE:	1:1
		UNIT:	m.m