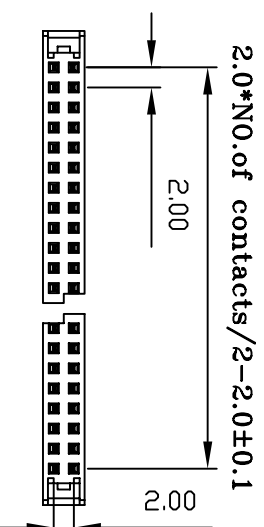
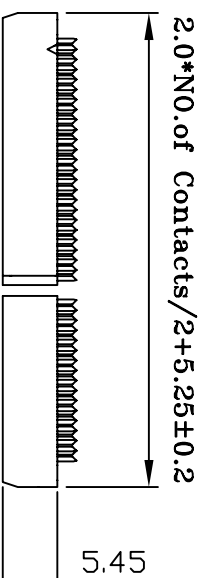
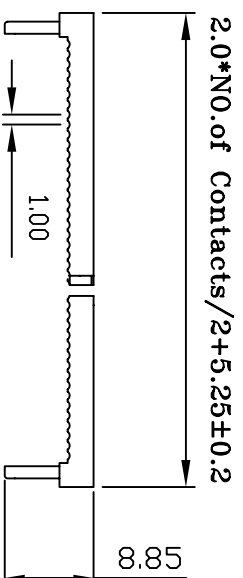
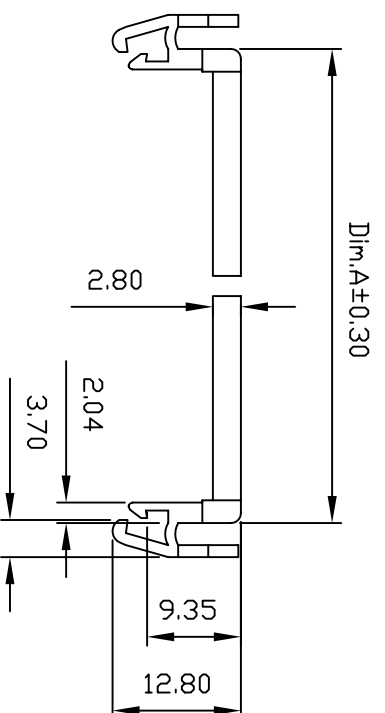
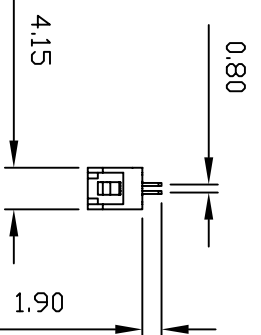
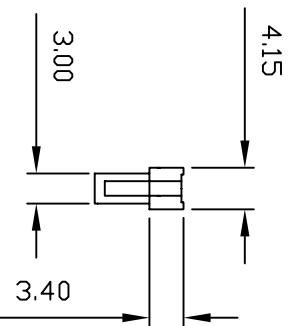
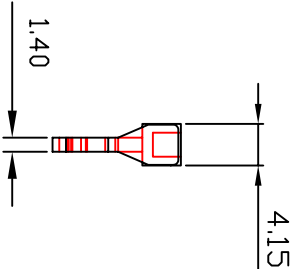
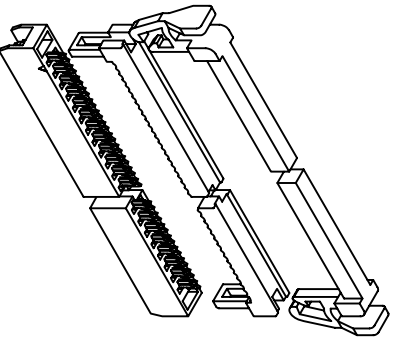


MATERIALS:
 INSULATOR:P.B.T.30%GLASS FIBER,UL94V-0
 NSR:P.C. 0%GLASS FIBER,UL94V-2
 CONTACT MATERIAL:BRASS OR PHOSPHOR BRONZE,
 GOLD FLASH OVER NICKEL

ELECTRICAL:
 CURRENT RATING:1AMP.
 INSULATION RESISTANCE:1000M Ω MIN.
 DIELECTRIC WITHSTANDING:500VAC
 OPERATING TEMPERATURE:-45°C~+85°C

| DIMENSION | | | |
|-----------|-------|---------|-------|
| CONTACT | Dim.A | CONTACT | Dim.A |
| 10 pin | 15.40 | 30 pin | 35.40 |
| 14 pin | 19.40 | 40 pin | 45.40 |
| 16 pin | 21.40 | 44 pin | 49.40 |
| 20 pin | 25.40 | | |



FC-225 - XX P0 BK C 000 C

1 2 3 4 5 6

1. Rev Row: 06 to 68pin
2. Material:
P0=Phosphor Bronze
3. Color: BK=Black
GR=Gray

4. Contact Plated:
T=Tin over Nickel

- C=Gold Flash
- F=Gold Flash,Tin 100u"
- A=Gold 3u"
- B=Gold 3u",Ni 50u"
- D=Gold 5u"
- E=Gold 5u",Ni 50u"

- G=Gold 10u"
- J=Gold 10u",Ni 50u"
- L=Gold 15u"
- M=Gold 15u",Ni 50u"
- U=Gold 30u"
- V=Gold 30u",Ni 50u"
- N=Gold Flash , Ni
- 5. Special Options
- 6. Packing: C=Tray



CONN TOP
COMPONENT INC.

PART NO

FC-225-XXP0BK000C

X
±0.30

.XX
±0.20

.XXX
±0.10

BOM

- 1: FC-24-XXBRK00
- 2: FC-25-XXBRKNSR
- 3: FC-22-XXBRK10
- 4: FAT-AP

DRAWING NO

FA-00054

EDITION: C

ITEM: FA

DRAWN BY

GARY

2008/09/30

SCALE: 1:1

Tel: (02)86481727 FAX: (02)86482427

APPROVAL BY

UNIT: m.m