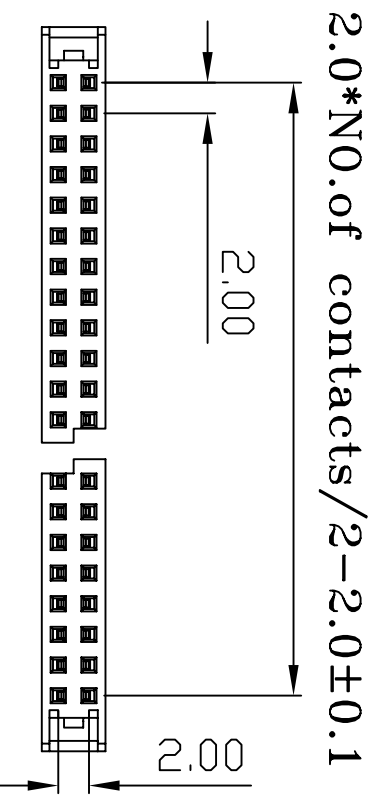
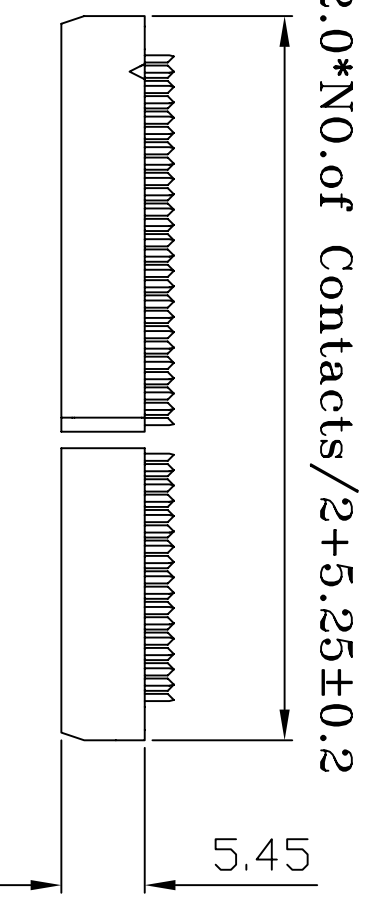
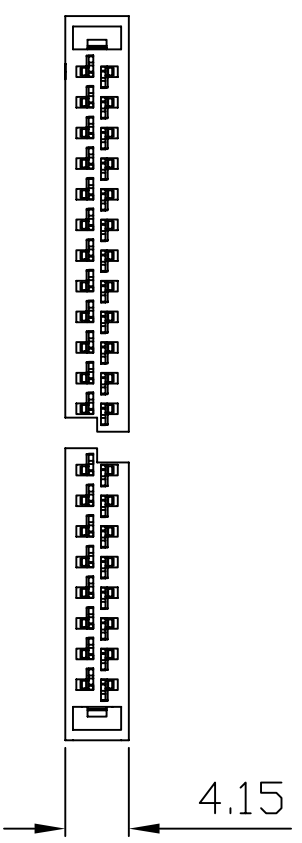
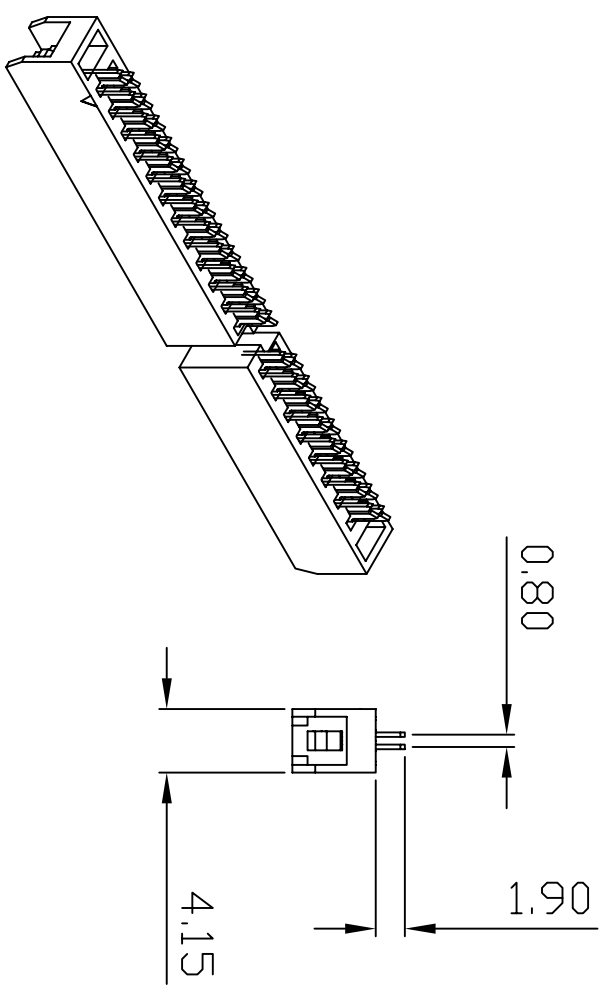


**MATERIALS:**  
 INSULATOR:P.B.T.30%GLASS FIBER,UL94V-0  
 CONTACT MATERIAL:BRASS OR PHOSPHOR BRONZE,  
 GOLD FLASH OVER NICKEL

**ELECTRICAL:**  
 CURRENT RATING:1AMP.  
 INSULATION RESISTANCE:1000M Ω MIN.  
 DIELECTRIC WITHSTANDING:500VAC  
 OPERATING TEMPERATURE:-45°C~+85°



2.0\*NO.of Contacts/2+5.25±0.2

2.0\*NO.of contacts/2-2.0±0.1

FC-22Y - XX P0 BK N 000  
 1 2 3 4 5

- (RoHS Compliant)
1. Circuits: 06 to 68pin
  2. Material: P0=Phosphor Bronze
  3. Color: BK=Black GR=Gray
  4. Contact Plated: T=Mattee Tin over Nickel Y=Brighe Tin over Nickel C=Gold Flash F=Gold Flash,Tin 100u' A=Gold 3u' B=Gold 3u',Ni 50u' D=Gold 5u'
  5. Special Dptions: E=Gold 5u',Ni 50u' G=Gold 10u' J=Gold 10u',Ni 50u' L=Gold 15u' M=Gold 15u',Ni 50u' U=Gold 30u' V=Gold 30u',Ni 50u' N=Gold Flash , Ni

①:FC-22-XXB0BKKN000-2007/04/23-C		CONN TOP COMPONENT INC.		PART NO		FC-22Y-XXP0BKKN000		X	X	X
1: FC-22-XXBKHO		DRAWING NO		FA-00005		EDITION: C1		±0.2	±0.2	±0.2
BOM 2: FAT-AP		DRAWN BY		GARY		2007/05/22		SCALE: 1:1	ITEM: FA	
3: 0		APPROVAL BY						UNIT: m.m		
TEL:(02)86481727 FAX:(02)86482427										