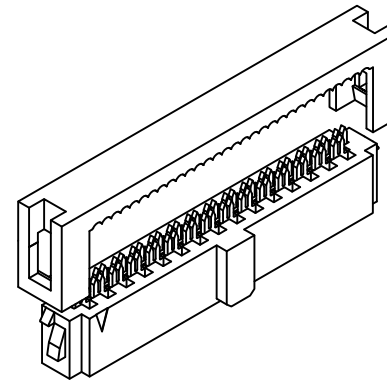
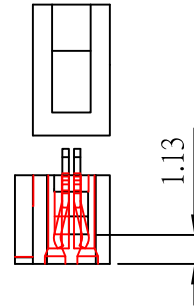


MATERIALS:
 INSULATOR:P.B.T.30%GLASS FIBER,UL94V-0
 CONTACT MATERIAL: PHOSPHOR BRONZE,
 GOLD FLASH OVER NICKEL
ELECTRICAL:
 CURRENT RATING:1AMP DC
 INSULATION RESISTANCE:1000MΩ MIN.
 CONTACT RESISTANCE:30mΩ MAX.
 DIELECTRIC WITHSTANDING:250V AC
 OPERATING TEMPERATURE:-40°C~+105°C
 TERMINATED WITH 0.635mm PITCH FLAT RIBBON CABLE.



Ⓞ: Table-1

Circuits	Dimension	
	A	B
6	2.54	8.04
8	3.81	9.31
10	5.08	10.58
12	6.35	11.85
14	7.62	13.12
16	8.89	14.39
20	11.43	16.93
24	13.97	19.47
26	15.24	20.74
30	17.78	23.28
34	20.32	25.82
40	24.13	29.63
44	26.67	32.17
50	30.48	35.98
60	36.83	42.33
64	39.37	44.87
66	40.64	46.14
68	41.91	47.41

(RoHS Compliant) **FC- 31 - XX P0 BK X 000 C**
 1 2 3 4 5 6

- Ⓞ: 1. Circuits: See Table-1 Ⓞ: 4. Contact Plated: A=Gold 3u" 5. Special Options
 2. Material: T=Matte Tin over Nickel D=Gold 5u" 6. Packing:
 P0=Phosphor Bronze W=Matte Tin over Nickel 150u" G=Gold 10u" C= Tray
 3. Color: BK=Black Y=Bright Tin over Nickel L=Gold 15u"
 GR=Gray C=Gold Flash U=Gold 30u"

Ⓞ: 06~68pin:-2013/06/05-C3
 Ⓞ: 4.Contact Plated:-2012/05/02-C2
 Ⓞ: 1.75±0.15-2009/01/16-C1
 Ⓞ: FC-31-XXP0BKX000-2007/10/26-C



CONN TOP COMPONENT INC.
 No.1, Lane 56, Ta-An Street, Hsi-Chih City, Taipei Hsien, Taiwan,
 Tel:886-2-86481727 Fax:886-2-86482427
 Homepage:http://www.conntop.com.tw

PART NO	FC-31-XXP0BKX000C	.X ±0.3	.XX ±0.20	.XXX ±0.100
DRAWING NO	FC-00100	EDITION: C4	ITEM: FC	
DRAWN BY	JARRY	2017/05/22	SCALE: 1:1	
APPROVAL BY	Peter pan	2017/05/22	UNIT: m.m	