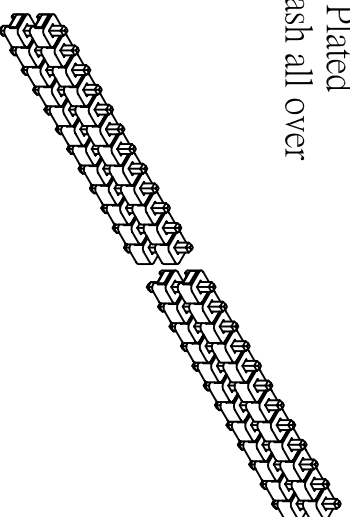
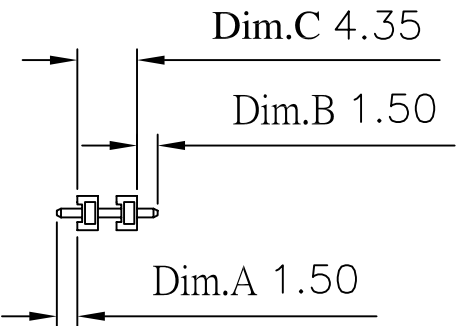
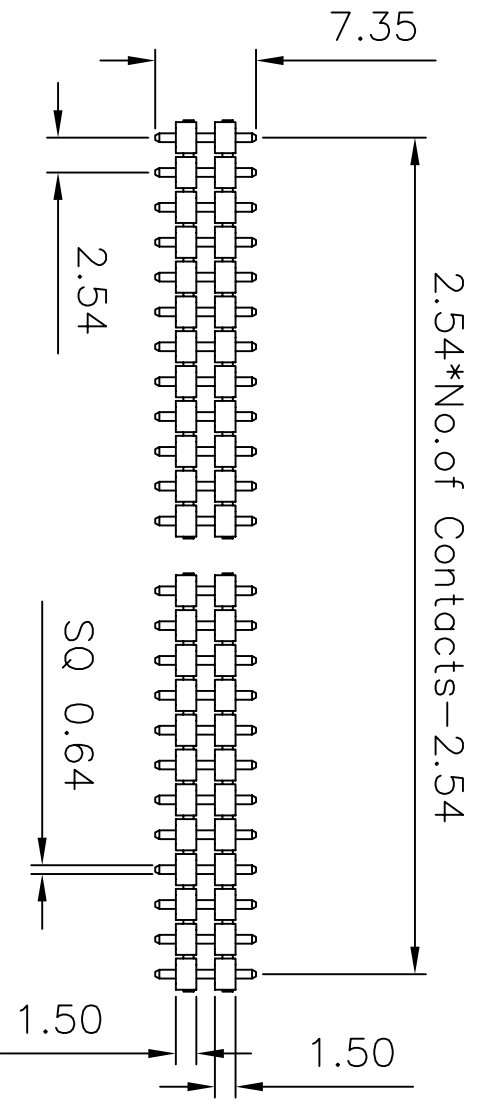
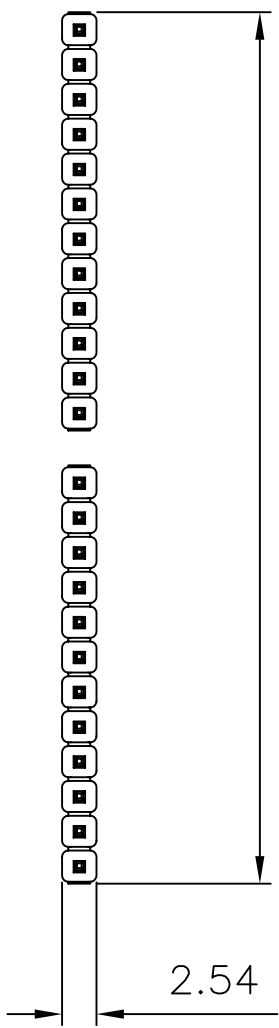
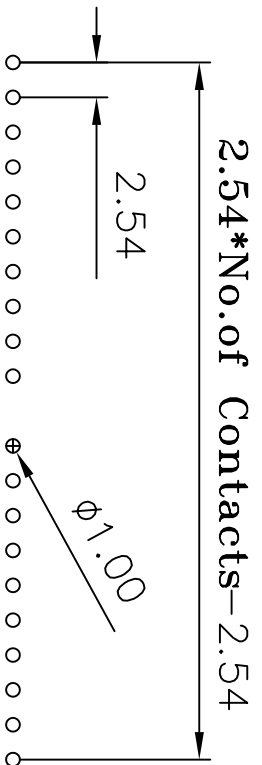


2.54*No.of Contacts±0.30



Recommended P.C. Board
Hole Layout



Current Rating: 3 Amps
 Insulator Resistance: 5000 Megohms min
 Contact Resistance: 20 m ohms max
 Dielectric Withstanding: 1000 V AC
 Operating Temperature: -40° ~ +105° C
 Max Processing Temp: 230° C for 60 seconds
 Max Processing Temp: 260° C for 10 seconds
 Contact Material: Copper Alloy
 Insulator Material: Polyester, UL 94V-0
 Standard: Nylon-6T

Finish: Tin, Gold Plated
 Standard: Gold Flash all over

(RoHS Compliant) H1 N 15 X - 1 XX S0 BK X D01 X
 1 2 3 4 5 6 7 8

- Insulator Material: N= Nylon-6T
- Phosphor Bronze Blank=Bronss
- Per Row: 02 to 40
- Taill Style: SO= Straight
- Color: BK=Black WH=White
- Contact Plated: T=Matte Tin over Nickel
- W=Matte Tin over Bronze
- Y=Bright Tin over Nickel
- C=Gold Flash
- F=Gold Flash,Matte
- A=Gold 3u"
- B=Gold 3u",Matte
- D=Gold 5u"
- E=Gold 5u",Matte
- G=Gold 10u"
- J=Gold 10u",Matte
- L=Gold 15u"
- M=Gold 15u",Matte
- U=Gold 30u"
- V=Gold 30u",Matte
8. Packing: A= PE Bag D= Box
7. Special Options



CONN TOP
COMPONENT INC.

①:H1N15-1XXXS0BKXD01-2007/07/26-C

1:	H1N15-1XXXBKHO
2:	QT-0.64X7.35BN
3:	0

PART NO	H1N15X-1XXXS0BKXD01X	.X	.XX	.XXX
DRAWING NO	PH-00344	±0.3	±0.20	±0.100
DRAWN BY	GARY	EDITION: C1	ITEM: PH	SCALE: 1:1
APPROVAL BY				UNIT: m.m

TEL:(02)86481727 FAX:(02)86482427