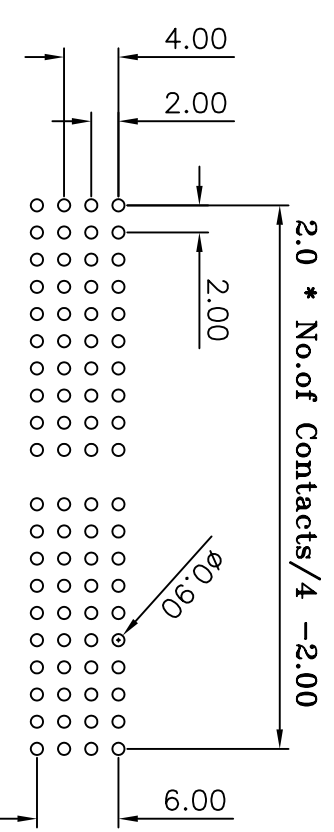
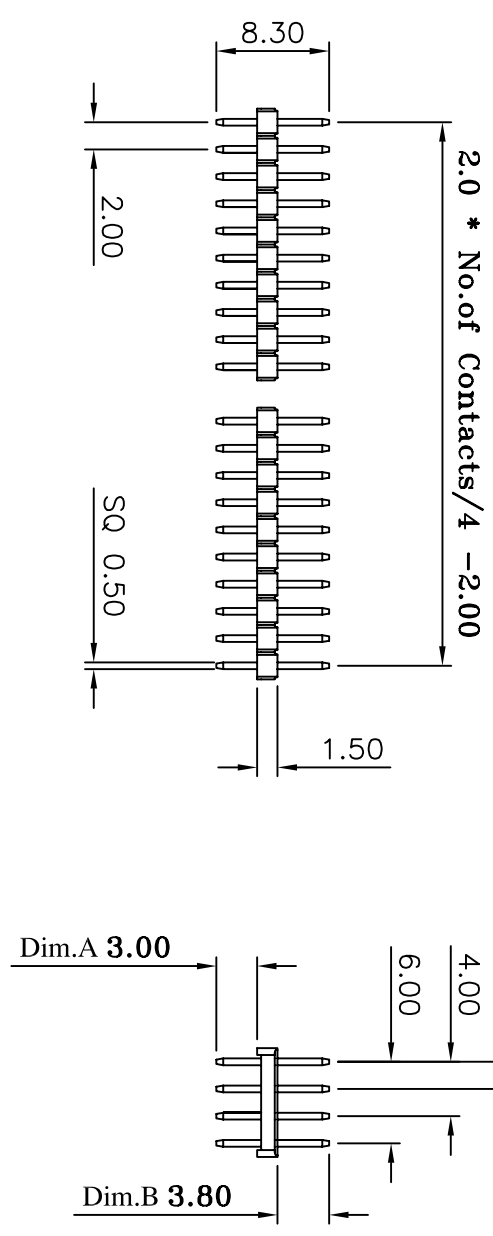


Current Rating: 2 Amps
 Insulator Resistance: 5000 Megohms min
 Contact Resistance: 20 m ohms max
 Dielectric Withstanding: 500 V AC
 Operating Temperature: - 40° ~ +105° C
 Max Processing Temp: 230° C for 60 seconds
 Max Processing Temp: 260° C for 10 seconds
 Contact Material: Copper Alloy
 Insulator Material: Polyester, UL 94V-0
 Standard: Nylon-6T

Finish: Tin, Gold Plated
 Standard: Gold Flash all over



Recommended P.C. Board
 Hole Layout

- (RoHS Compliant)
- Insulator Material:
 - N= Nylon-6T
 - P= Phosphor Bronze
 - Blank= Brass
 - 3. Per Row 02~40 pin
 - 4. Tail Style:
 - S0= Straight
 - 5. Color: BK=Black, WH=White
 - Contact Plated:
 - T=Matte Tin over Nickel
 - W=Matte Tin over Nickel 150u"
 - Y=Bright Tin over Nickel
 - C=Gold Flash
 - F=Gold Flash,Matte Tin 100u"
 - A=Gold 3u"
 - B=Gold 3u",Matte Tin 100u"
 - D=Gold 5u"
 - E=Gold 5u",Matte Tin 100u"
 - G=Gold 10u"
 - J=Gold 10u",Matte Tin 100u"
 - L=Gold 15u"
 - M=Gold 15u",Matte Tin 100u"
 - U=Gold 30u"
 - V=Gold 30u",Matte Tin 100u"
 - Special Options
 - 8. Packings:
 - A= PE Bog
 - D= Box

①:H2X15-4XXXS0BKX000X-2008/05/15-C1		CONN TOP COMPONENT INC.		PART NO	H2N15X-4XXXS0BKX000X	.X	.XX	.XXX
②:H2X15-4XXXS0BKX000-2007/07/24-C		H2N15-4XXXBKJH0		DRAWING NO	PHA-00197	±0.3	±0.20	±0.100
BOM 1: H2N15-4XXXBKJH0		QT-0.50X8.30BN		DRAWN BY	GARY	EDITION: C2	SCALE: 1:1	ITEM: PHA
TEL:(02)86481727 FAX:(02)86482427		APPROVAL BY				2008/07/08		UNIT: m.m