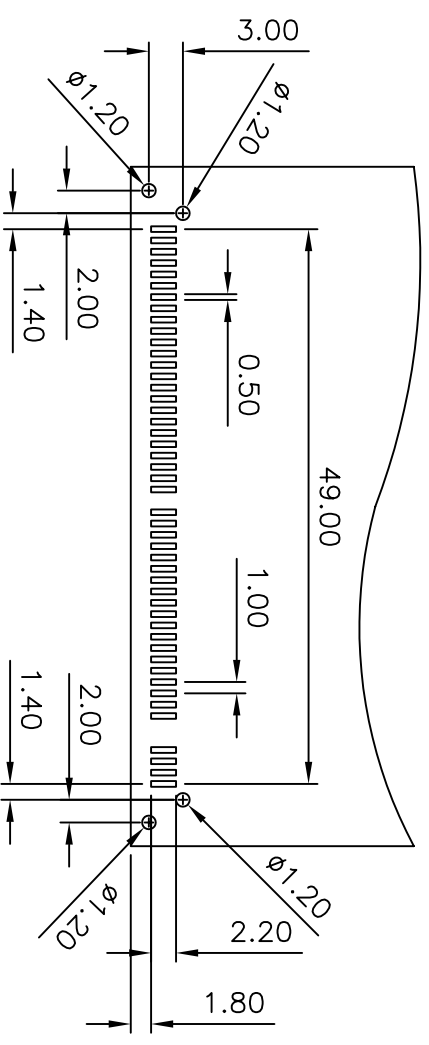


Current Rating: 2 Amps  
 Insulator Resistance: 5000 Megohms min  
 Dielectric Withstanding: 500 V AC  
 Operating Temperature: -40° ~ +105° C  
 Max Processing Temp: 230° C for 60 seconds  
 Max Processing Temp: 260° C for 10 seconds  
 Contact Material: Copper Alloy  
 Insulator Material: Polyester, UL 94V-0  
 Standard: Nylon-6T  
 Finish: Tin, Gold Plated  
 Standard: Gold Flash all over

Recommended P.C. Board SMD Layout



(RoHS Compliant) H2 N 40 - 50 D2 BK X E01 B

- Insulator Material: Nylon-6T  
N = Nylon-6T
- Circuits: 50pin
- Taill Style:  
D2 = SMD With Peg Type  
Color: BK=Black  
WH=White
- Contact Plated:  
T=Matte Tin over Nickel  
W=Matte Tin over Nickel  
Y=Bright Tin over Nickel  
C=Gold Flash  
F=Gold Flash, Tin  
A=Gold 3u"  
B=Gold 3u", Tin 100u"
- Contact Plated:  
D=Gold 5u"  
E=Gold 5u", Tin 100u"  
G=Gold 10u"  
J=Gold 10u", Tin 100u"  
L=Gold 15u"  
M=Gold 15u", Tin 100u"  
U=Gold 30u"  
V=Gold 30u", Tin 100u"
- E01 = 25,45,46, Not Insert Pin
- Packaging: B = Tube

CONN TOP COMPONENT INC.		PART NO H2N40-50DD2BKXE01B		X	.XX	.XXX
①: H2N40-50BKXH2		DRAWING NO PHA-00209		±0.30	±0.20	±0.10
②: H2N40T-5035-01D		DRAWN BY GARY		EDITION: C2		ITEM: PHA
③: H2N40T-5035-02D		APPROVAL BY		2009/01/13		SCALE: 1:1
TEL:(02)86481727 FAX:(02)86482427						UNIT: m.m