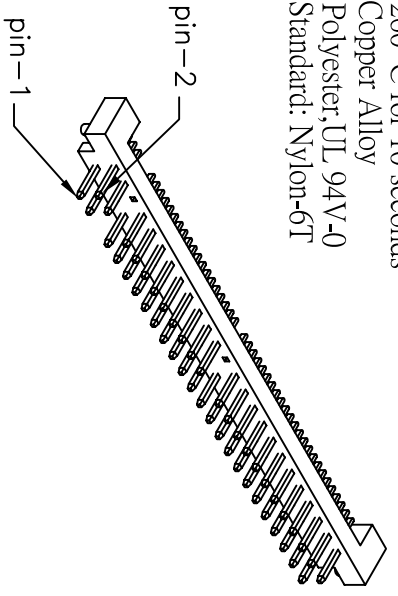
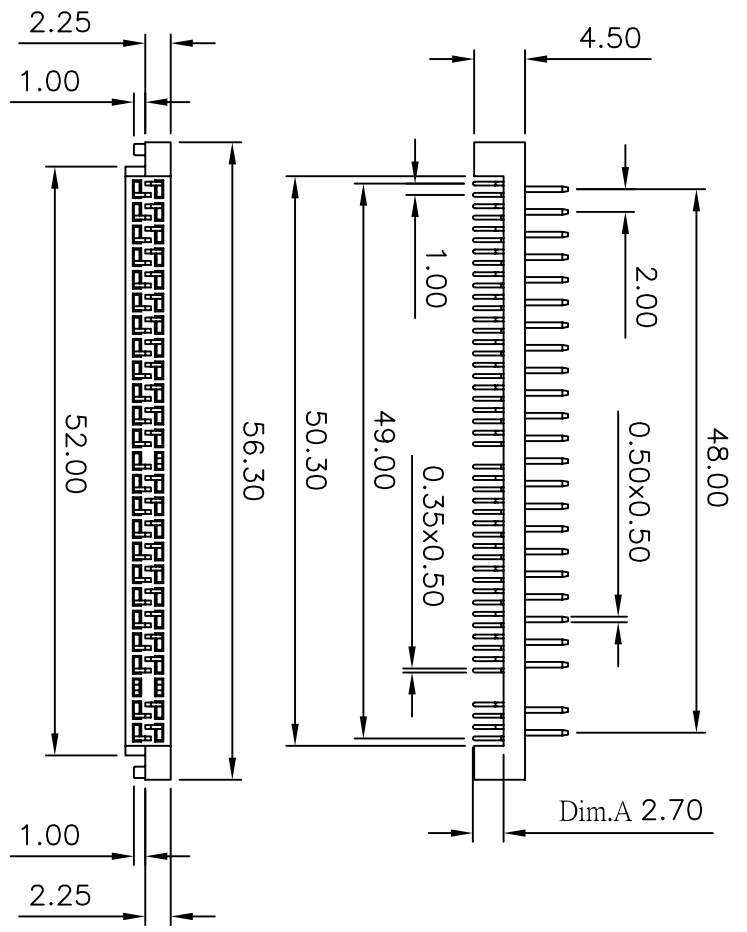
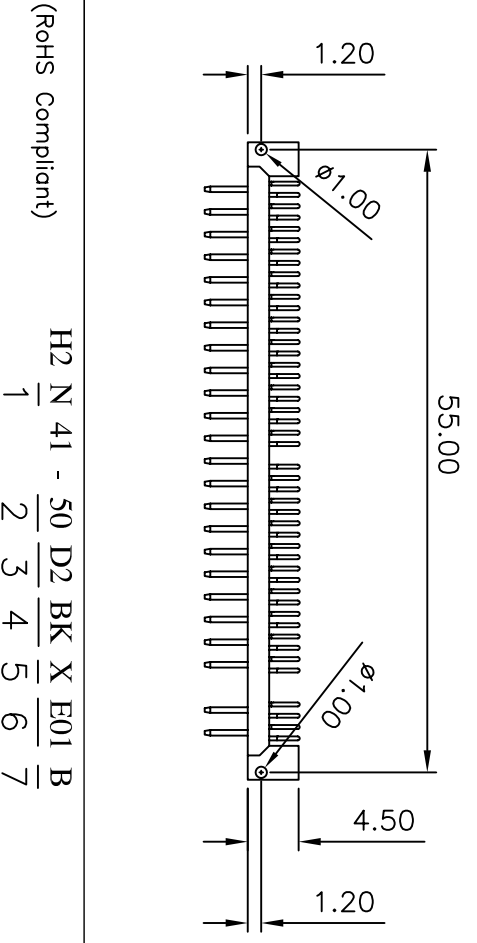
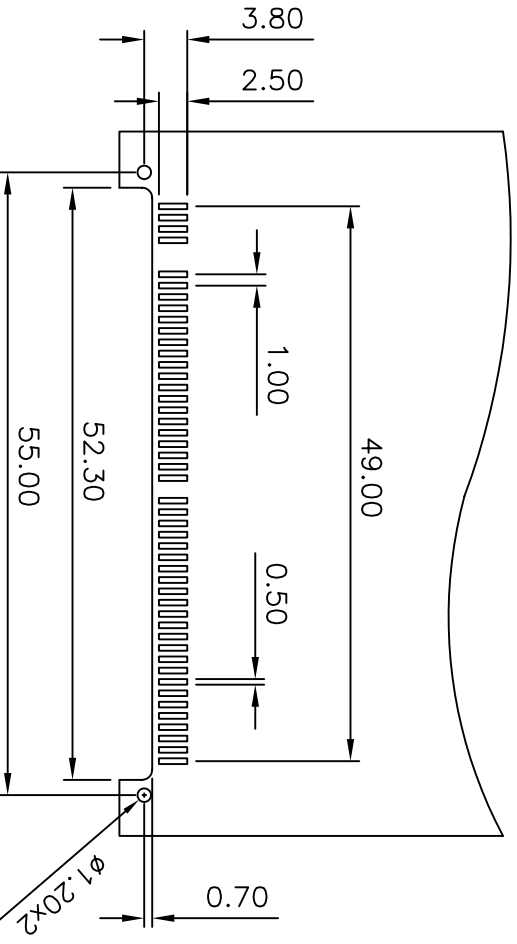


Current Rating: 2 Amps
 Insulator Resistance: 5000 Megohms min
 Dielectric Withstanding: 500 V AC
 Operating Temperature: -40° ~ +105° C
 Max Processing Temp: 230° C for 60 seconds
 Max Processing Temp: 260° C for 10 seconds
 Contact Material: Copper Alloy
 Insulator Material: Polyester, UL 94V-0
 Standard: Nylon-6T



Recommended P.C. Board
 SMD Layout



(RoHS Compliant)

H2 N 41 - 50 D2 BK X E01 B
 1 2 3 4 5 6 7

- Insulator Material: Nylon-6T
 N= Nylon-6T
- Circuits: 50pin
- Taill Style: D2= S.M.D With Peg Type
 Color: BK=Black
 WH=White
- Contact Plated: T=Matte Tin over Nickel
 W=Matte Tin over Nickel 150u"
 Y=Bright Tin over Nickel
 C=Gold Flash
 F=Gold Flash, Tin 100u"
 A=Gold 3u"
 B=Gold 3u", Tin 100u"
- D=Gold 5u"
 E=Gold 5u", Tin 100u"
 G=Gold 10u"
 J=Gold 10u", Tin 100u"
 L=Gold 15u"
 M=Gold 15u", Tin 100u"
 U=Gold 30u"
 V=Gold 30u", Tin 100u"
- E01= 005,06,26, Not Insert Pin
- Packings: B= Tube

CONN TOP COMPONENT INC.
 H2N41-50DKXE01B

PART NO	H2N41-50DKXE01B	X	±0.3	XXX	±0.100
DRAWING NO	PHA-00212	EDITION:	C1	ITEM:	PHA
DRAWN BY	GARY	SCALE:	1:1	UNIT:	m.m

TEL:(02)86481727 FAX:(02)86482427
 BOM 1: H2N41-50DKH2
 2: H2N41T-5035-01D
 3: APPROVAL BY