

(RoHS Compliant) H2 X 20 X - 3 XX S0 BK X 000 X
 1 2 3 4 5 6 7 8

- Insulator Material:
 A= P.B.T
 N= Nylon-6T
 P= Phosphor Bronze
 Blank= Brass
 3. Per Row 02~40 pin
 4. Tail Style:
 S0= Straight
 5. Color: BK=Black
 WH=White
- Contact Plated:
 T=Matte Tin over Nickel
 W=Matte Tin over Nickel 150u"
 Y=Bright Tin over Nickel
 C=Gold Flash
 F=Gold Flash,Matte Tin 100u"
 A=Gold 3u"
 B=Gold 3u"Matte Tin 100u"
- D=Gold 5u"
 E=Gold 5u"Matte Tin 100u"
 G=Gold 10u"
 J=Gold 10u"Matte Tin 100u"
 L=Gold 15u"
 M=Gold 15u"Matte Tin 100u"
 U=Gold 30u"
 V=Gold 30u"Matte Tin 100u"

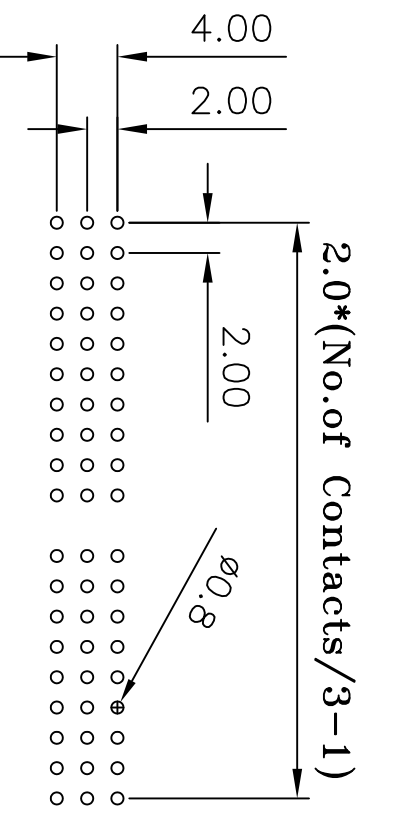
7. Special Options

8. Packing:

- A= PE Bog
 D= Box

- Current Rating: 2 Amps
 Insulator Resistance: 5000 Megohms min
 Contact Resistance: 20 m ohms max
 Dielectric Withstanding: 500 V AC
 Operating Temperature: -40° ~ +105° C
 Contact Material: Copper Alloy
 Insulator Material: Polyester, UL 94V-0
 Standard: PBT
 Finish: Gold Plated or Duplex Plated
 Standard: Gold Flash all over
 Note:
 Duplex Plating: Gold Plated on contact area,
 Tin on solder area
 Insulator Material: Polyester, UL 94V-0
 Standard: Nylon-6T
 Max Processing Temp: 230° C for 60 seconds
 Max Processing Temp: 260° C for 10 seconds

Recommended P.C. Board
 Hole Layout



| | | | |
|-------------------------------------|----------------|-------------|----------------------|
| ©:H2X20-3XXXS0BKX000-2007/02/05-C | | | |
| CONN TOP COMPONENT INC. | | PART NO | H2X20X-3XXXS0BKX000X |
| 1: | H2X20-3XXXBKHD | DRAWING NO | PHA-00092 |
| 2: | QT-0.50X8.80BN | DRAWN BY | GARY |
| 3: | 0 | EDITION: | C1 |
| TEL: (02)86481727 FAX: (02)86482427 | | APPROVAL BY | |
| | | X | .XX |
| | | ±0.3 | ±0.20 |
| | | ITEM: | PHA |
| | | SCALE: | 1:1 |
| | | UNIT: | m.m |