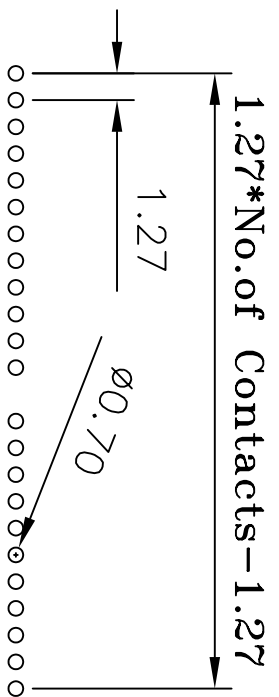
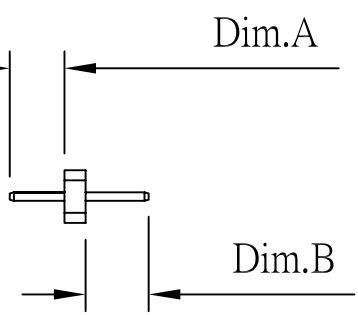
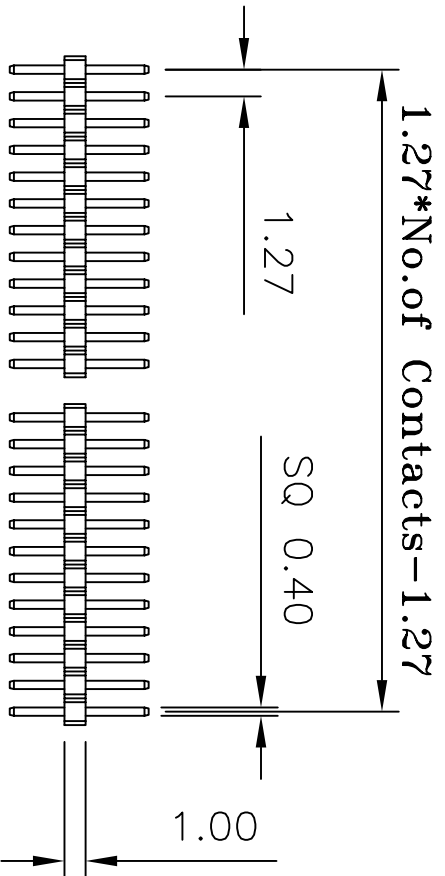


Current Rating: 1 Amps
 Insulator Resistance: 5000 Megohms min
 Contact Resistance: 20 m ohms max
 Dielectric Withstanding: 500 V AC
 Operating Temperature: -40° ~ +105° C
 Max Processing Temp: 230° C for 60 seconds
 Max Processing Temp: 260° C for 10 seconds
 Contact Material: Phosphor Bronze
 Insulator Material: Polyester, UL 94V-0
 Standard: Nylon-6T
 Finish: Tin, Gold Plated
 Standard: Gold Flash all over

Recommended P.C. Board
 Hole Layout



(RoHS Compliant) H3 N 10 X - 1 XX SQ BK X 000 X
 1 2 3 4 5 6 7 8

- Insulator Material:
N= Nylon-6T
- P= Phosphor Bronze
Blank=Brass
- Per Row 02~50 pin
- Tail Style:
SQ= Straight
- Color: BK=Black
WH=White
- Contact Plated:
C=Gold Flash
A=Gold 3u"
D=Gold 5u"
G=Gold 10u"
L=Gold 15u"
U=Gold 30u"
- Special Options:
A= PE Bag
B= Tube
D= Box
- Packing:

①:H3N10-1XXS0BKX000-2007/02/13-C

| | |
|-------------------------|-------------------|
| CONN TOP COMPONENT INC. | |
| 1: | H3N10-1XXS0BKX000 |
| 2: | QT-0.40X6.60BN |
| 3: | 0 |

| Part No. | Dim.A±0.20 | Dim.B±0.20 |
|---------------------|------------|------------|
| H3N10X-1XXS0BKX001X | 2.60mm | 3.00mm |
| H3N10X-1XXS0BKX002X | 2.60mm | 1.80mm |
| H3N10X-1XXS0BKX003X | 1.50mm | 3.00mm |
| H3N10X-1XXS0BKX004X | 1.50mm | 1.80mm |

| | | | | |
|-------------|---------------------|-------------|-----------|------------|
| PART NO | H3N10X-1XXS0BKX000X | X | .XX | .XXX |
| DRAWING NO | PHB-00017 | ±0.3 | ±0.20 | ±0.100 |
| DRAWN BY | GARY | EDITION: C1 | ITEM: PHB | SCALE: 1:1 |
| APPROVAL BY | | 2009/01/19 | UNIT: m.m | |

TEL: (02)86481727 FAX: (02)86482427