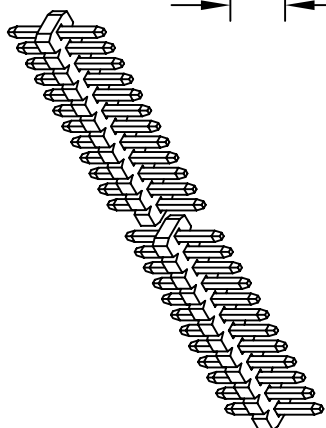
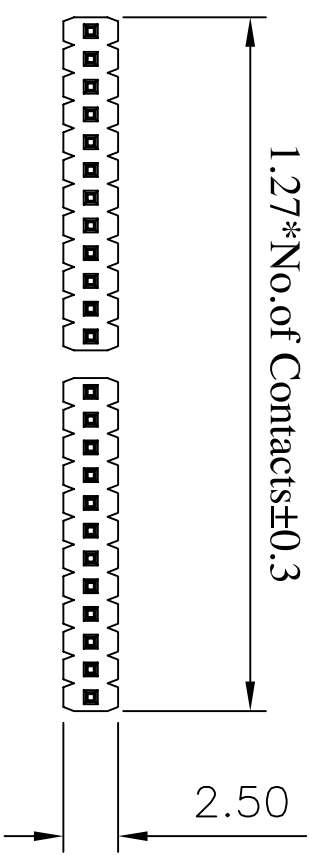
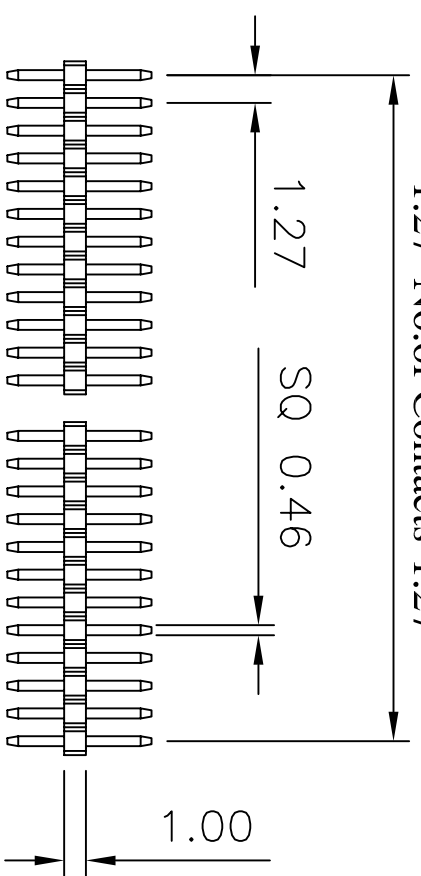


1.27*No.of Contacts±0.3



1.27*No.of Contacts-1.27

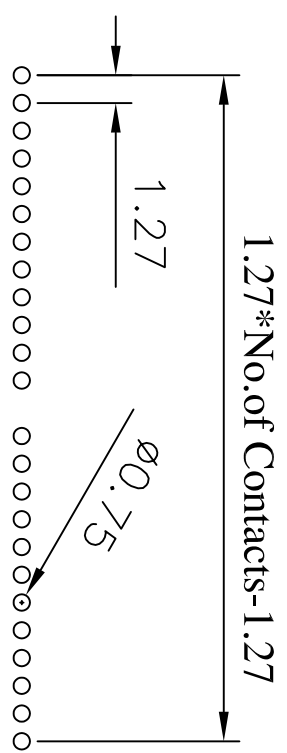


Dim.A 2.60

Dim.B 3.00

Current Rating: 1 Amps
 Insulator Resistance: 5000 Megohms min
 Contact Resistance: 20 m ohms max
 Dielectric Withstanding: 500 V AC
 Operating Temperature: -40° ~ +105° C
 Max Processing Temp: 230° C for 60 seconds
 Max Processing Temp: 260° C for 10 seconds
 Contact Material: Phosphor Bronze
 Insulator Material: Polyester, UL 94V-0
 Finish: Tin, Gold Plated
 Standard: Gold Flash all over
 Standard: Nylon-6T

Recommended P.C. Board
 Hole Layout



Part No.	Dim.A ±0.20	Dim.B ±0.20
H3N10AX-1XXXS0BKX001X	2.60mm	3.00mm
H3N10AX1XXXS0BKX002X	2.60mm	1.80mm
H3N10AX-1XXXS0BKX003X	1.50mm	3.00mm
H3N10AX-1XXXS0BKX004X	1.50mm	1.80mm

(RoHS Compliant) H3 N 10 A X - 1 XX S0 BK X 000 X
 1 2 3 4 5 6 7 8

- Insulator Material:
N= Nylon-6T
- P= Phosphor Bronze
Blank=Brass
- Per Row 02~50 pin
- Tail Style:
SQ= Straight
- Contact Plated:
C=Gold Flash
A=Gold 3u"
D=Gold 5u"
G=Gold 10u"
L=Gold 15u"
U=Gold 30u"
- Special Options:
A= PE Bag
B= Tube
D= Box

CONN TOP COMPONENT INC. 1: H3N10A-1XXXBK1H0 BOM 2: QT-0.46XXXXBN 3: 0		PRT NO H3N10AX-1XXXS0BKX000X DRAWING NO PHB-00028 DRAWN BY GARY APPROVAL BY		X ±0.3 XX ±0.20 XXX ±0.100 ITEM: PHB SCALE: 1:1 UNIT: m.m	
TEL: (02)86481727 FAX: (02)86482427		EDITION: C1 2009/01/21			