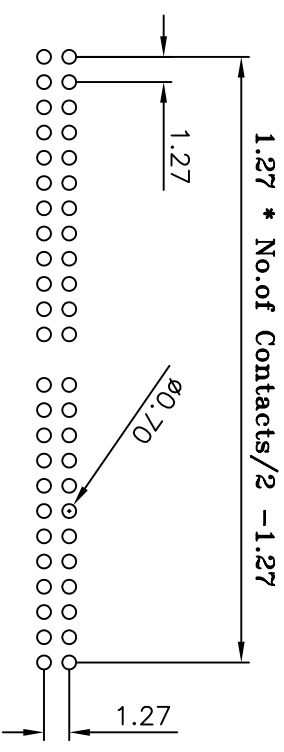
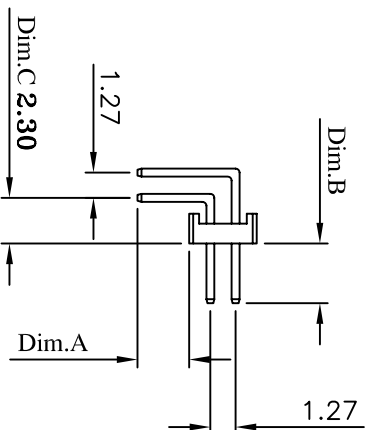
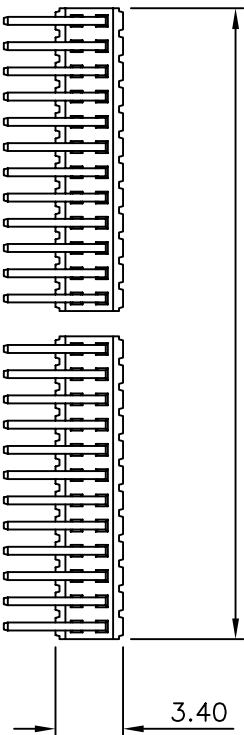


Current Rating: 1 Amps
 Insulator Resistance: 5000 Megohms min
 Contact Resistance: 20 m ohms max
 Dielectric Withstanding: 500 V AC
 Operating Temperature: -40° ~ +105° C
 Max Processing Temp: 230° C for 60 seconds
 Max Processing Temp: 260° C for 10 seconds
 Contact Material: Phosphor Bronze
 Insulator Material: Polyester, UL 94V-0
 Standard: Nylon-6T
 Finish: Tin, Gold Plated
 Standard: Gold Flash all over

1.27 * No. of Contacts/2 ±0.3



Recommended P.C. Board Hole Layout

Part No.	Dim.A ±0.20	Dim.B ±0.20	Dim.C ±0.20
H3N15X-2XXR0BKX001X	2.60mm	3.00mm	2.30mm
H3N15X-2XXR0BKX002X	2.60mm	1.80mm	2.30mm
H3N15X-2XXR0BKX003X	1.50mm	3.00mm	2.30mm
H3N15X-2XXR0BKX004X	1.50mm	1.80mm	2.30mm

(RoHS Compliant)

H3 N 15 X - 2 XX R0 BK X 000 X
 1 2 3 4 5 6 7 8

- Insulator Material:
N= Nylon-6T
- P= Phosphor Bronze
Blank=Brass
- Per Row 02~50 pin
- Tail Style:
R0= Right Angle
- Color: BK=Black
WH=White
- Contact Plated:
C=Gold Flash
A=Gold 3u"
D=Gold 5u"
G=Gold 10u"
L=Gold 15u"
U=Gold 30u"
- Special Options
A= PE Bag
B= Tube
D= Box
- Packing:



CONN TOP
COMPONENT INC.

①:H3N15-2XXR0BKX000-2007/02/27-C

1:	H3N15-2XXBKH0
BOM 2:	QT-0.40X XXXBN
3:	QT-0.40X XXXBN

PART NO		X		.XX		.XXX	
H3N15X-2XXR0BKX000X		±0.3		±0.20		±0.100	
DRAWING NO	PHB-00067	EDITION:	C1	ITEM:	PHB	SCALE:	1:1
DRAWN BY	GARY	2008/08/07		UNIT:	m.m		
APPROVAL BY							

TEL:(02)86481727 FAX:(02)86482427