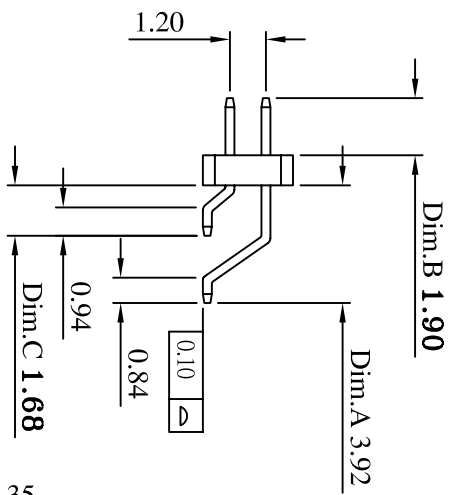
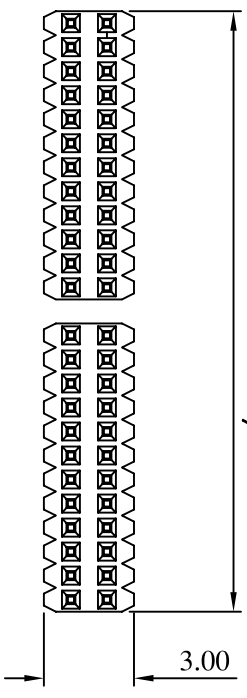
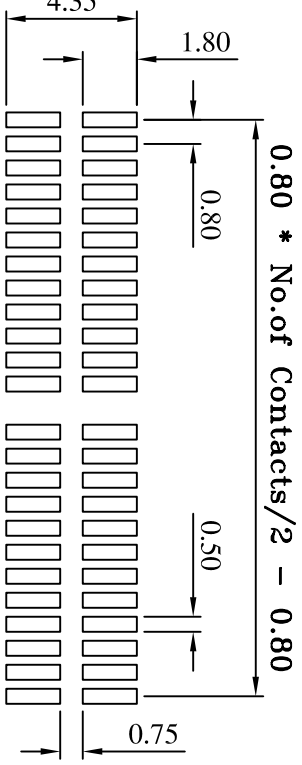


Current Rating: 1 Amps
 Insulator Resistance: 1000 Megohms min
 Contact Resistance: 20 m ohms max
 Dielectric Withstanding: 300 V AC
 Operating Temperature: -40° ~ +125° C
 Max Processing Temp: 230° C for 60 seconds
 Max Processing Temp: 260° C for 10 seconds
 Contact Material: Phosphor Bronze
 Insulator Material: Polyester, UL 94V-0
 Standard: LCP

0.80 * No. of Contacts/2 ±0.30



Recommended P.C. Board
 Hole Layout



(RoHS Compliant)
 (Halogen-Free)

H6 L 10 - 2 XX SD BK X 000 B
 1 2 3 4 5 6 7

- Insulator Material:
LN=LCP
- Per Row 02~50 pin
3: Taill Style:
SD=R/A SMD
- Color: BK=Black
WH=White

- Contact Plated:
T=Matte Tin over Nickel
W=Matte Tin over Nickel 150u"

- Special Options
A=Gold 3u"
D=Gold 5u"
G=Gold 10u"
L=Gold 15u"
U=Gold 30u"

- Packaging:
B= Tube



CONN TOP
 COMPONENT INC.

PART NO	H6L10-2XXSDBKX000B	X	±0.3
DRAWING NO	H5-00018	XX	±0.20
DRAWN BY	GARY	XXX	±0.100
EDITION:	C	ITEM:	H6
SCALE:	2008/12/04	SCALE:	1:1
APPROVAL BY		UNIT:	m.m

1:	H6L10-2XXBKH0
BOM/2:	QT-0.30X8.20 BN
3:	QT-0.30X4.70BN

TEL: (02)86481727	FAX: (02)86482427
-------------------	-------------------