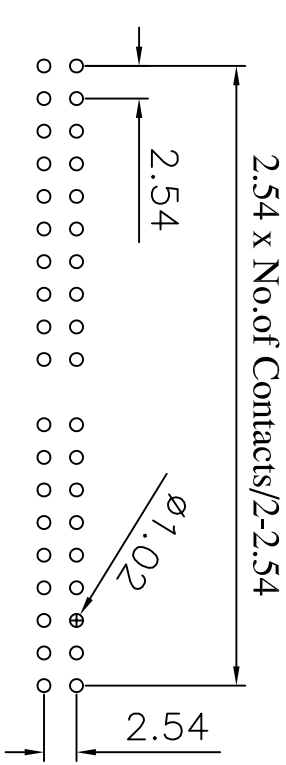
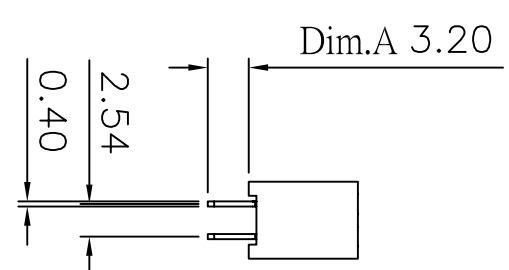
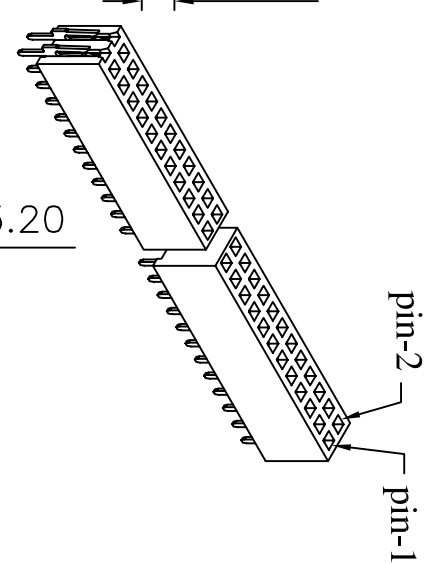
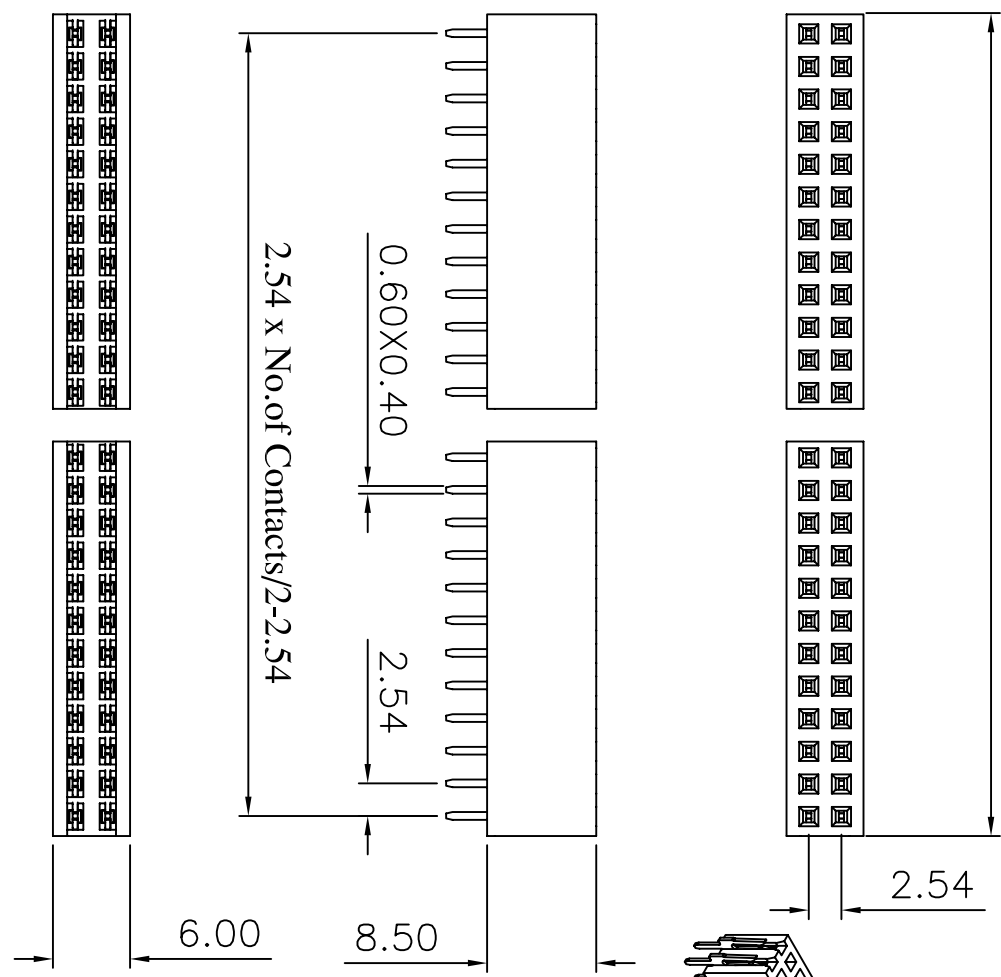


2.54*No.of Contacts/2+0.5



Current Rating: 3 Amps
 Insulator Resistance: 5000 Megohms min
 Contact Resistance: 20 m ohms max
 Dielectric Withstanding: 1000 V AC
 Operating Temperature: -40° ~ +105° C
 Contact Material: Copper Alloy
 Insulator Material: Polyester, UL 94V-0 Standard: PBT
 Finish: Tin, Gold Plated
 Standard: Gold Flash all over
 Note: Duplex Plating: Gold Plated on contact area, Tin on solder area
 Insulator Material: Polyester, UL 94V-0 Standard: Nylon-6T
 Max Processing Temp: 230° C for 60 seconds
 Max Processing Temp: 260° C for 10 seconds

Recommended P.C. Board Hole Layout

(RoHS Compliant) P1 X 86- 2 XX S0 BK X 000 X
 1 2 3 4 5 6 7

- Standard:
 - B = Nylon-9T
 - N = Nylon-6T
- Per ROW 02 to 40
- Tail Style:
 - S0 = Straight
 - B = Gold 3u", Tin 100u"
- Color: BK=Black
- Contact Plated:
 - T=Matte Tin over Nickel
 - W=Matte Tin over Nickel 150u"
 - Y=Bright Tin over Nickel
 - C=Gold Flash
 - F=Gold Flash, Tin 100u"
 - A=Gold 3u"
 - B=Gold 3u", Tin 100u"
- Special Options
 - D=Gold 5u"
 - E=Gold 5u", Tin 100u"
 - G=Gold 10u"
 - J=Gold 10u", Tin 100u"
 - L=Gold 15u"
 - M=Gold 15u", Tin 100u"
 - U=Gold 30u"
 - V=Gold 30u", Tin 100u"
- Packng:
 - A = PE Bog
 - B = Tube
 - D = Box

CONN TOP COMPONENT INC.
 P1X86-2XXS0BKX000-2007/01/18-C

PART NO	P1X86-2XXS0BKX000X	.X	.XX	.XXX
DRAWING NO	PB-00035	±0.3	±0.20	±0.100
DRAWN BY	LN	EDITION: C1	ITEM: PB	
APPROVAL BY		2009/01/12	SCALE: 1:1	
			UNIT: m.m	

TEL: (02)86481727 FAX: (02)86482427