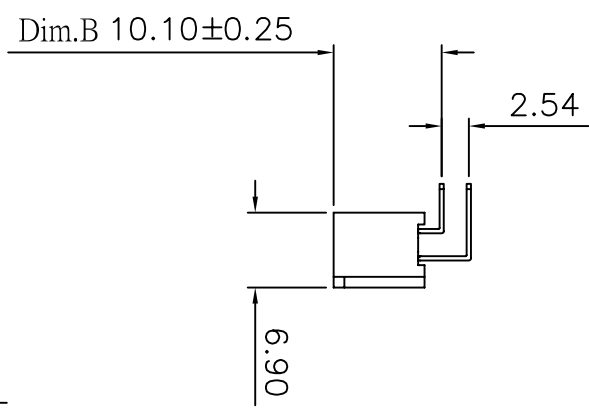
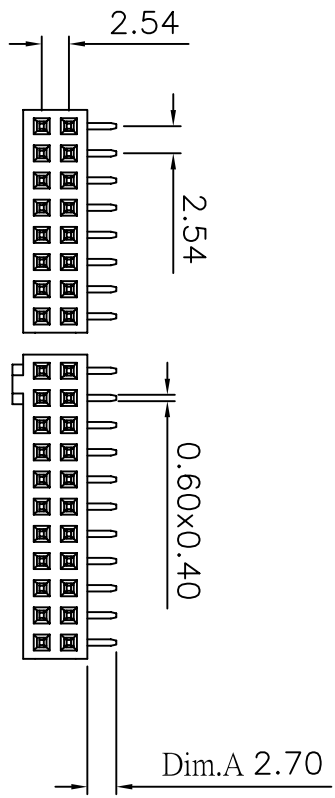
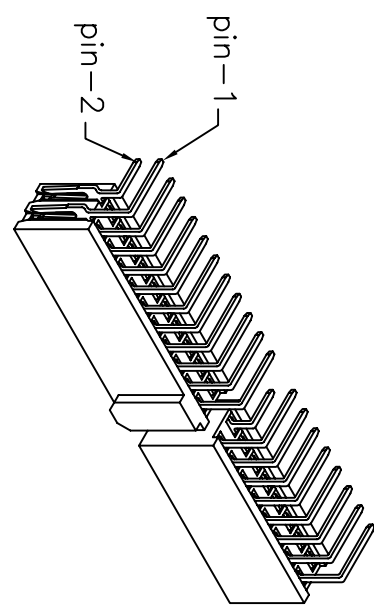
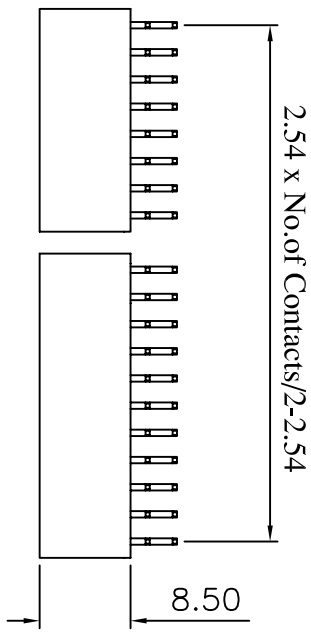
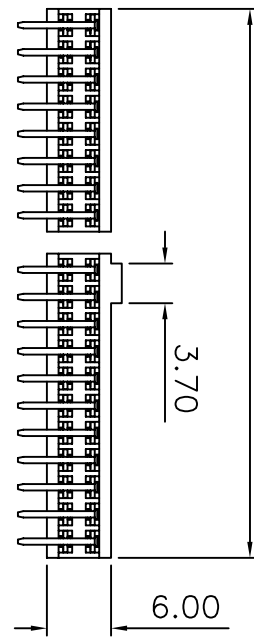


**2.54 X No.of Contacts/2+0.5**



(RoHS Compliant) P1 X 86 P - 2 XX R0 BK X 000 X  
 1 2 3 4 5 6 7 8

- Standard: A= P.B.T.  
 N= Nylon-6T
- P=With Ke
- Per ROW 02 to 40
- Taill Style:  
 R0= Ridht Angle
- Color: BK=Black
- Contact Plated:  
 T=Matte Tin over Nickel  
 W=Matte Tin over Nickel 150u"  
 Y=Bright Tin over Nickel  
 C=Gold Flash  
 F=Gold Flash,Tin 100u"  
 A=Gold 3u"  
 B=Gold 3u",Tin 100u"
- Special Options:  
 D=Gold 5u"  
 E=Gold 5u",Tin 100u"  
 G=Gold 10u"  
 J=Gold 10u",Tin 100u"  
 L=Gold 15u"  
 M=Gold 15u",Tin 100u"  
 U=Gold 30u"  
 V=Gold 30u",Tin 100u"
- Packing:  
 A= PE Bag  
 B= Tube  
 D= Box

Current Rating: 3 Amps  
 Insulator Resistance: 5000 Megohms min  
 Contact Resistance: 20 m ohms max  
 Dielectric Withstanding: 1000 V AC  
 Operating Temperature: -40° ~ +105° C  
 Contact Material: Copper Alloy  
 Insulator Material: Polyester,UL 94V-0  
 Standard: PBT

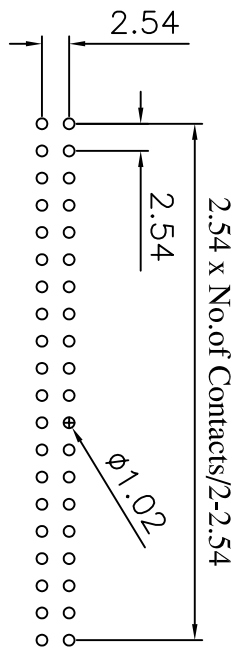
Finish: Tin,Gold Plated  
 Standard:Gold Flash all over

Note:  
 Duplex Plating: Gold Plated on contact area,  
 Tin on solder area

Insulator Material: Polyester,UL 94V-0  
 Standard: Nylon-6T

Max Processing Temp: 230° C for 60 seconds  
 Max Processing Temp: 260° C for 10 seconds

Recommended P.C. Board  
 Hole Layout



①:P1X86P-2XXXR0BKX000-2007/01/19-C		CONN TOP COMPONENT INC.	
1:	P1X86P-2XXXBKHX0	PART NO	P1X86P-2XXXR0BKX000X
2:	P1X85T-6263-R1	DRAWING NO	PB-00025
3:	P1X85T-6211-R2	DRAWN BY	LIN
TEL:(02)86481727	FAX:(02)86482427	APPROVAL BY	
		EDITION:	C1
		SCALE:	1:1
		ITEM:	PB
		UNIT:	m.m