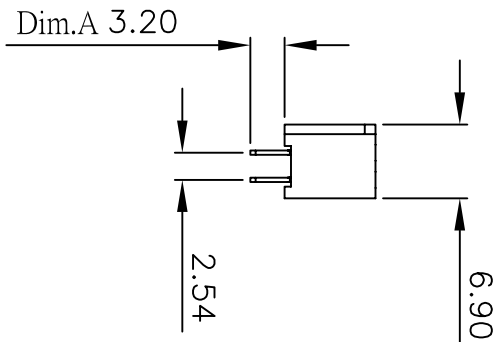
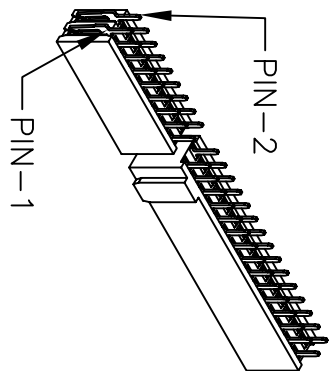
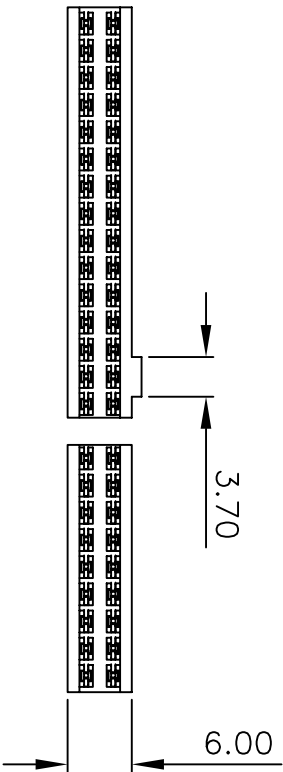
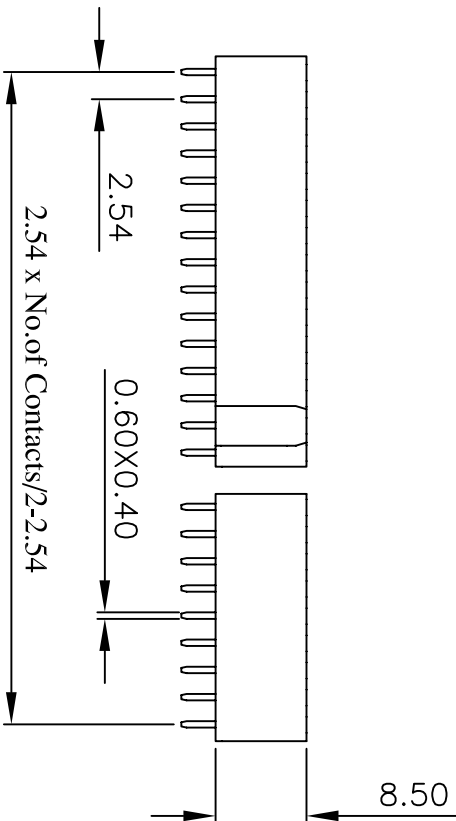
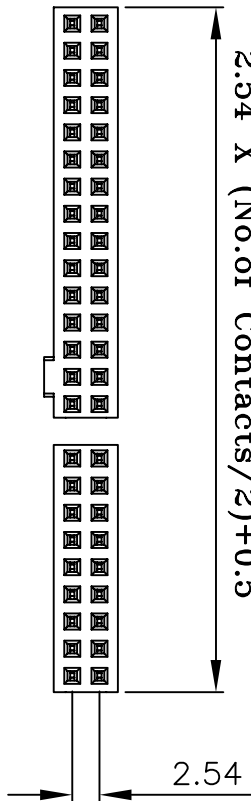


2.54 X (No.of Contacts/2)+0.5



(RoHS Compliant) P1 X 86 P - 2 XX S0 BK X 000 X  
 1 2 3 4 5 6 7 8

- Standard: A= P.B.T.  
N= Nylon-6T
- P=With Ke
- Per ROW 02 to 40
- Taill Style:  
S0= Straight  
B=Gold 3u",Tin 100u"
- Color: BK=Black
- Contact Plated:  
T=Matte Tin over Nickel  
W=Matte Tin over Nickel 150u"  
Y=Bright Tin over Nickel  
C=Gold Flash  
F=Gold Flash,Tin 100u"  
A=Gold 3u"  
B=Gold 3u",Tin 100u"
- Special Options  
D=Gold 5u"  
E=Gold 5u",Tin 100u"  
G=Gold 10u"  
J=Gold 10u",Tin 100u"  
L=Gold 15u"  
M=Gold 15u",Tin 100u"  
U=Gold 30u"  
V=Gold 30u",Tin 100u"
- Packing:  
A= PE Bag  
B= Tube  
D= Box

Current Rating: 3 Amps

Insulator Resistance: 5000 Megohms min

Contact Resistance: 20 m ohms max

Dielectric Withstanding: 1000 V AC

Operating Temperature: -40 ~ +105° C

Contact Material: Copper Alloy

Insulator Material: Polyester,UL 94V-0

Standard: PBT

Finish: Tin,Gold Plated

Standard:Gold Flash all over

Note: Duplex Plating: Gold Plated on contact area,

Tin on solder area

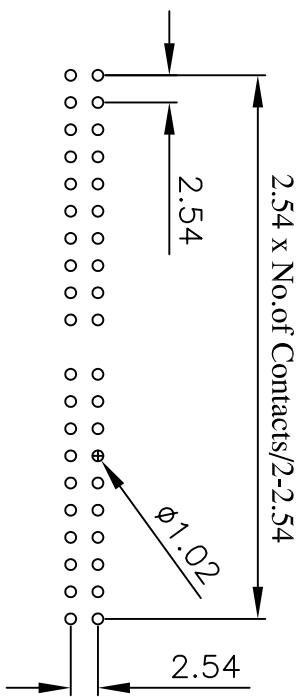
Insulator Material: Polyester,UL 94V-0

Standard: Nylon-6T

Max Processing Temp: 230° C for 60 seconds

Max Processing Temp: 260° C for 10 seconds

Recommended P.C. Board  
Hole Layout



CONN TOP COMPONENT INC.		PART NO P1X86P-2XXXS0BKX000X		.X .XX .XXX	
P1X86P-2XXXBKX0		PB-00023		±0.3 ±0.20 ±0.100	
DRAWING NO		EDITION: C1		ITEM: PB	
BOM/1: P1X86P-2XXXBKX0		DRAWN BY LIN		SCALE: 1:1	
BOM/2: P1X85T-6237S		APPROVAL BY		UNIT: m.m	
BOM/3:					
TEL: (02)86481727 FAX: (02)86482427					

©:P1X86P-2XXXS0BKX000-2007/01/19-C