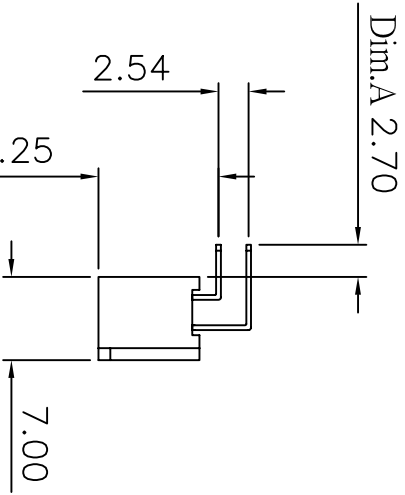
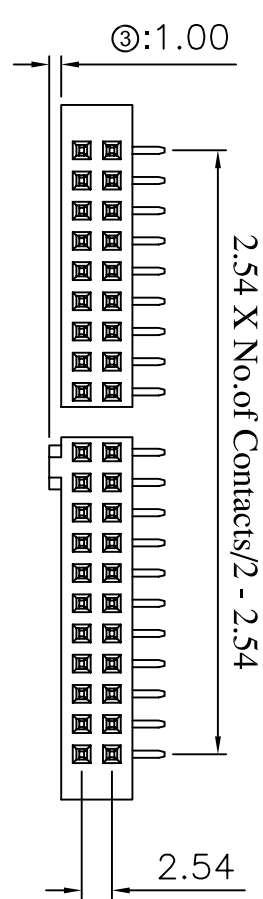
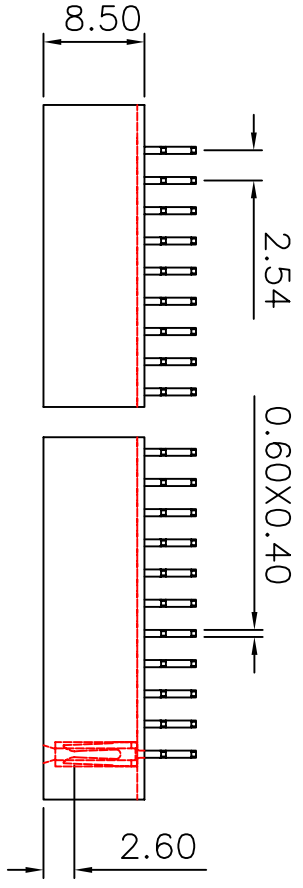
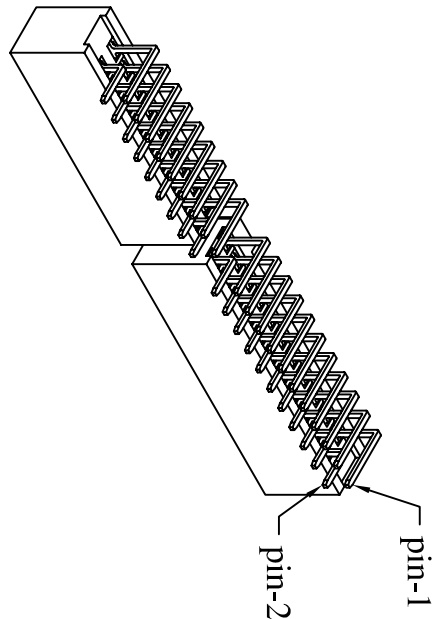
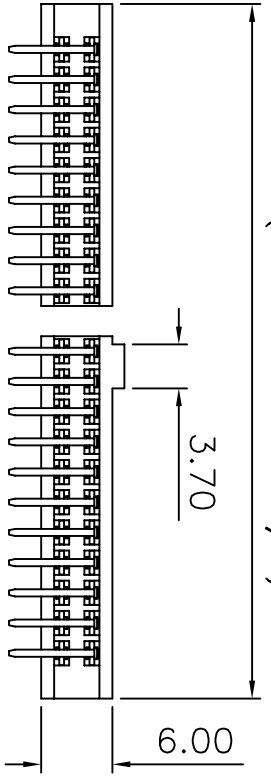


2.54 X (No.of Contacts/2)+5.08

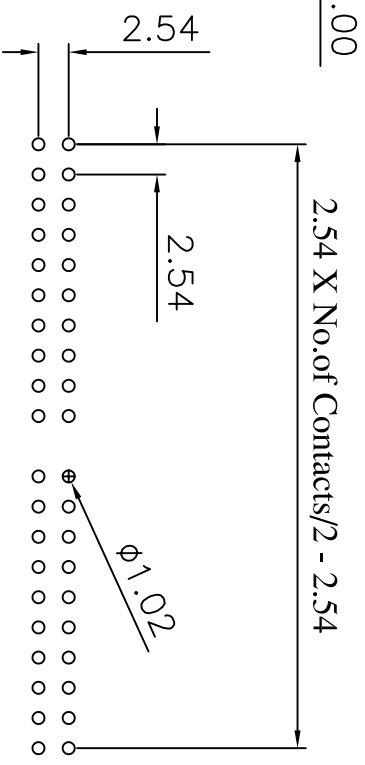


Current Rating: 3 Amps
 Insulator Resistance: 5000 Megohms min
 Contact Resistance: 20 m ohms max
 Dielectric Withstanding: 1000 V AC
 Operating Temperature: -40° ~ +105° C
 Contact Material: Copper Alloy
 Insulator Material: Polyester, UL 94V-0
 Standard: PBT

Finish: Tin, Gold Plated
 Standard: Gold Flash all over
 Note: Duplex Plating: Gold Plated on contact area, Tin on solder area

Insulator Material: Polyester, UL 94V-0
 Standard: Nylon-6T
 Max Processing Temp: 230° C for 60 seconds
 Max Processing Temp: 260° C for 10 seconds

Recommended P.C. Board Hole Layout



(RoHS Compliant)

P1 X 87 P X - 2 XX R0 BK X 000 X

- Standard: A= P.B.T.
N= Nylon-6T
- P=With Key
- A=Phosphor Bronze
Blank=Brass
- Per ROW: 02 to 40
- Toll Style:
R0= Right Angle
- Color: BK=Black
- Contact Plated:
T=Matte Tin over Nickel
W=Matte Tin over Nickel 150u"
Y=Bright Tin over Nickel
G=Gold Flash
F=Gold Flash,Matte Tin 100u"
A=Gold 3u"
B=Gold 3u",Matte Tin 100u"
- Special Options:
D=Gold 5u"
E=Gold 5u",Matte Tin 100u"
G=Gold 10u"
J=Gold 10u",Matte Tin 100u"
L=Gold 15u"
M=Gold 15u",Matte Tin 100u"
U=Gold 30u"
V=Gold 30u",Matte Tin 100u"
- Packaging:
B= Tube
C= Tray

©:0.90-2007/08/15-C1	
①:P1X87P-2XXR0BKX000-2007/08/15-C1	
②:P1X86P-2XXR0BKXA01-2007/08/15-C	
CONN TOP COMPONENT INC.	
1: P1X87P-2XXR0BKX000	
2: P1X85T-6263-R1	
3: P1X85T-6211-R2	
TEL:(02)86481727 FAX:(02)86482427	

PART NO	P1X87PX-2XXR0BKX000X	.X	.XX	.XXX
DRAWING NO	PB-00030	±0.3	±0.20	±0.100
DRAWN BY	GARY			
EDITION:	C2			
SCALE:	1:1			
APPROVAL BY				
ITEM:	PB			
UNIT:	m.m			