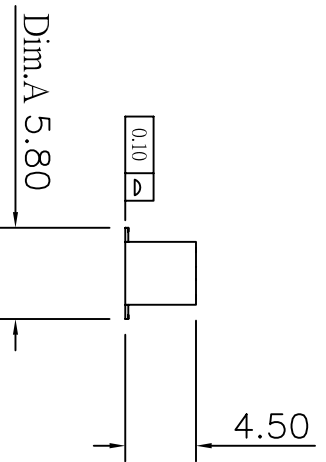
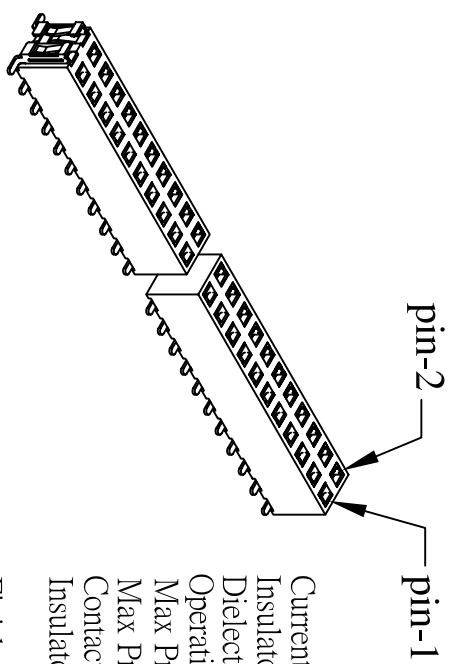
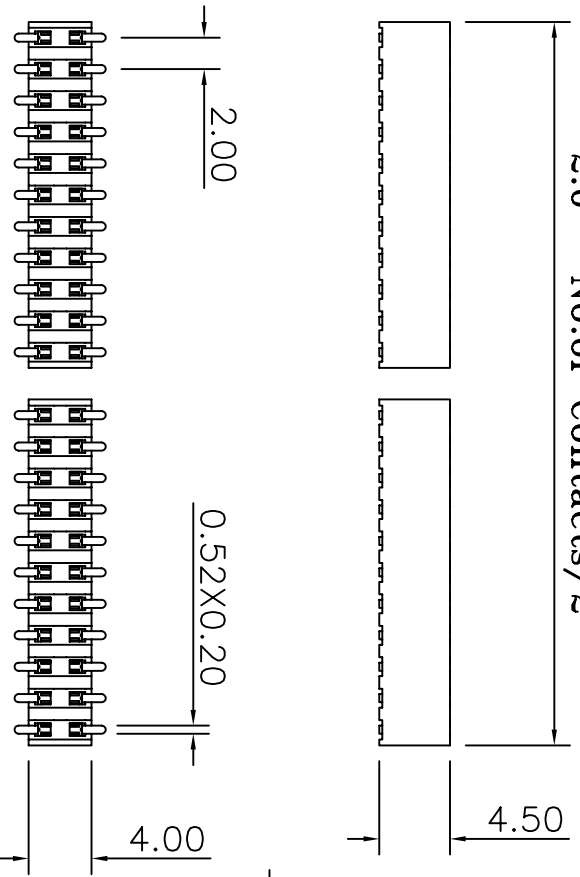


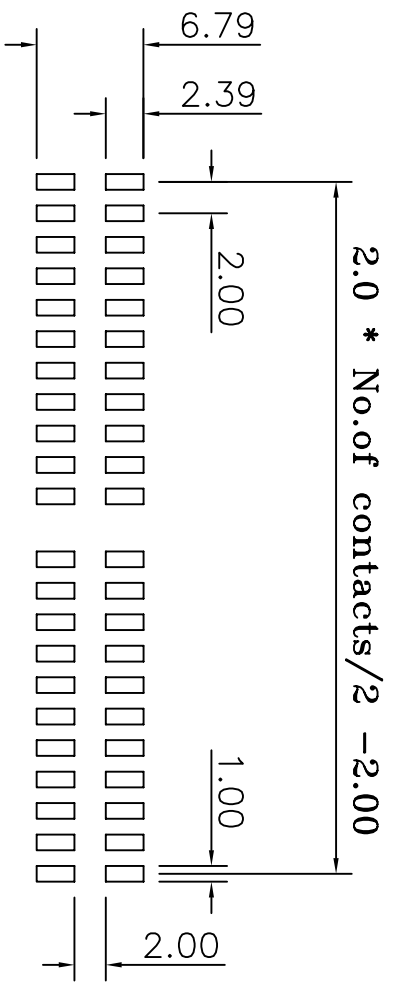
2.0 * No. of Contacts/2



Dim.A 5.80

Current Rating: 2 Amps
 Insulator Resistance: 5000 Megohms min
 Dielectric Withstanding: 500 V AC
 Operating Temperature: -40° ~ +125° C
 Max Processing Temp: 230° C for 60 seconds
 Max Processing Temp: 260° C for 10 seconds
 Contact Material: Phosphor Bronze
 Insulator Material: Polyester, UL 94V-0
 Standard: LCP

Recommended P.C. Board
 SMD Layout



- (RoHS Compliant)
 (Halogen-Free)
1. Standard: L= LCP
2. Per ROW 02 to 40
3. Tail Style:
 D0=SMD No Peg Type
 D1=SMD With Peg Type
4. Color: BK=Black
 WH=White
5. Contact Plated:
 T=Matte Tin over Nickel
 W=Matte Tin over Nickel 150u"
 Y=Bright Tin over Nickel
 C=Gold Flash
 F=Gold Flash,Matte Tin 100u"
 A=Gold 3u"
 B=Gold 3u",Matte Tin 100u"
- D=Gold 5u"
 E=Gold 5u",Matte Tin 100u"
 G=Gold 10u"
 J=Gold 10u",Matte Tin 100u"
 L=Gold 15u"
 M=Gold 15u",Matte Tin 100u"
 U=Gold 30u"
 V=Gold 30u",Matte Tin 100u"
6. Special Options
7. Packing:
 B= Tube
- P2 L 45 - 2 XX D0 BK X 000 B
 1 2 3 4 5 6 7

		PART NO		P2L45-2XXD0BKX000B		.X		.XXX	
BOM 1: P2L45-2XXBKHH0		DRAWING NO		P20045-00053		±0.3		±0.100	
BOM 2: P2N45T-203820D		DRAWN BY		GARY		EDITION: C		ITEM: P20045	
BOM 3: 0		APPROVAL BY				SCALE: 1:1		UNIT: m.m	
TEL: (02)86481727 FAX: (02)86482427									