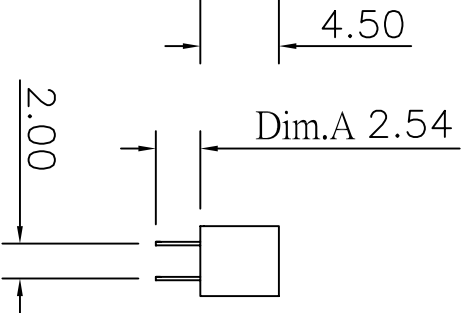
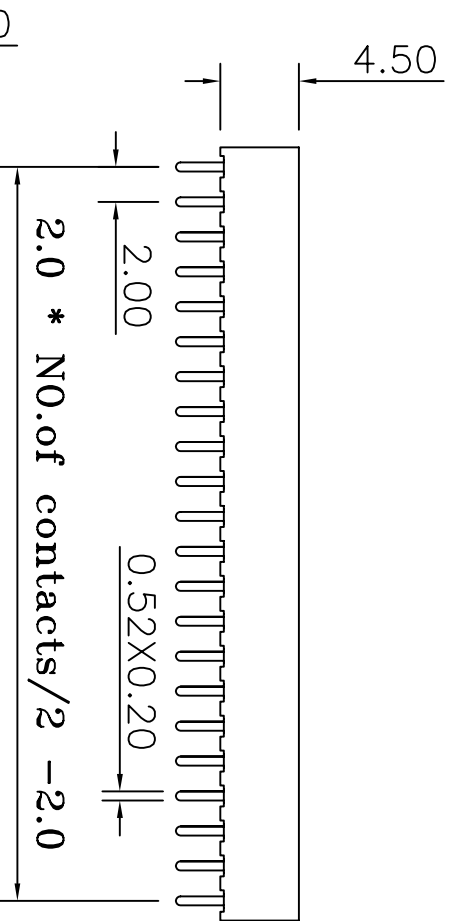
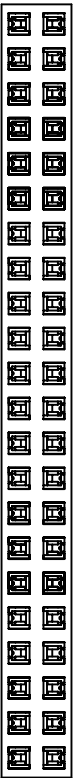
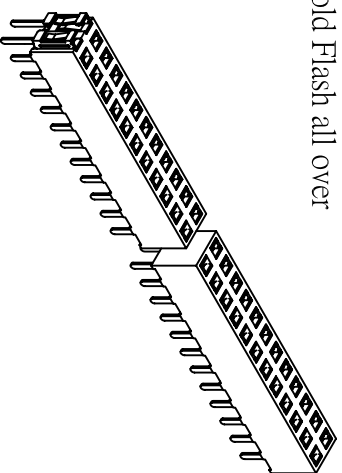


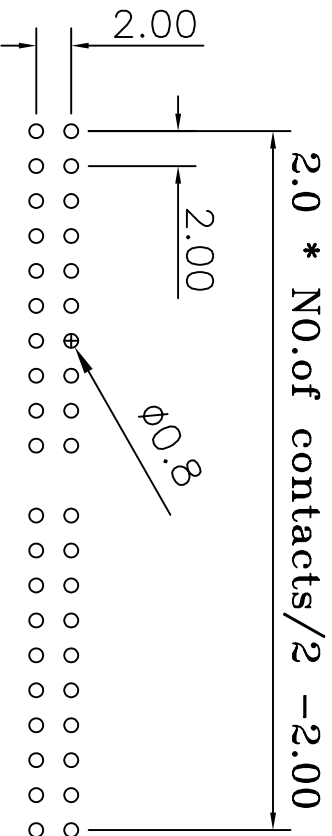
2.0 * NO.of contacts/2



Current Rating: 2 Amps
 Insulator Resistance: 5000 Megohms min
 Contact Resistance: 20 m ohms max
 Dielectric Withstanding: 500 V AC
 Operating Temperature: -40° ~ +125° C
 Max Processing Temp: 230° C for 60 seconds
 Max Processing Temp: 260° C for 10 seconds
 Contact Material: Copper Alloy
 Insulator Material: Polyester, UL 94V-0
 Standard: LCP



Recommended P.C. Board
 Hole Layout



(RoHS Compliant)
 (Hologen-Free)

P2 L 45 - 2 XX S0 BK X 000 X
 1 2 3 4 5 6 7

- Standard:
 - L= LCP
 - Per ROW : 02~40 pin
 - Taill Style:
 - S0= Straight
 - Color: BK=Black
 - WH=White
- Contact Plated:
 - T=Matte Tin over Nickel
 - W=Matte Tin over Nickel 150u"
 - Y=Bright Tin over Nickel
 - C=Gold Flash
 - F=Gold Flash,Matte Tin 100u"
 - A=Gold 3u"
 - B=Gold 3u",Matte Tin 100u"
- Special Options
 - D=Gold 5u"
 - E=Gold 5u",Matte Tin 100u"
 - G=Gold 10u"
 - J=Gold 10u",Matte Tin 100u"
 - L=Gold 15u"
 - M=Gold 15u",Matte Tin 100u"
 - U=Gold 30u"
 - V=Gold 30u",Matte Tin 100u"
- Packing:
 - B=Tube
 - C=Troy



CONN TOP
 COMPONENT INC.

PART NO P2L45-2XXS0BKX000X

.X .XX .XXX
 #0.3 #0.20 #0.100

1: P2L45-2XXBKXH0

DRAWING NO P20045-00055

EDITION: C ITEM: P20045

2: P2N45T-203833S

DRAWN BY GARY

SCALE: 1:1

3: 0

TEL:(02)86481727 FAX:(02)86482427

APPROVAL BY

UNIT: m.m