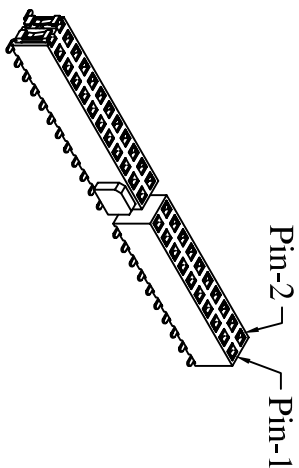
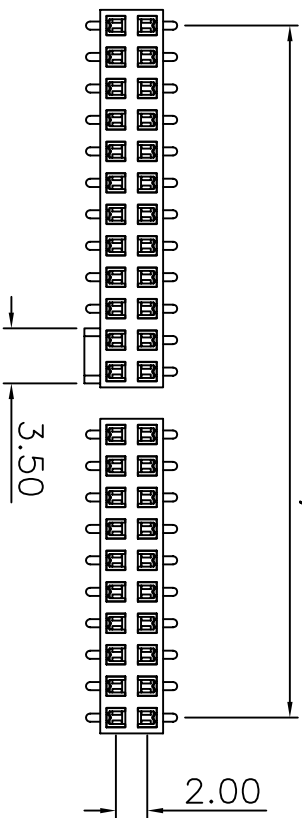
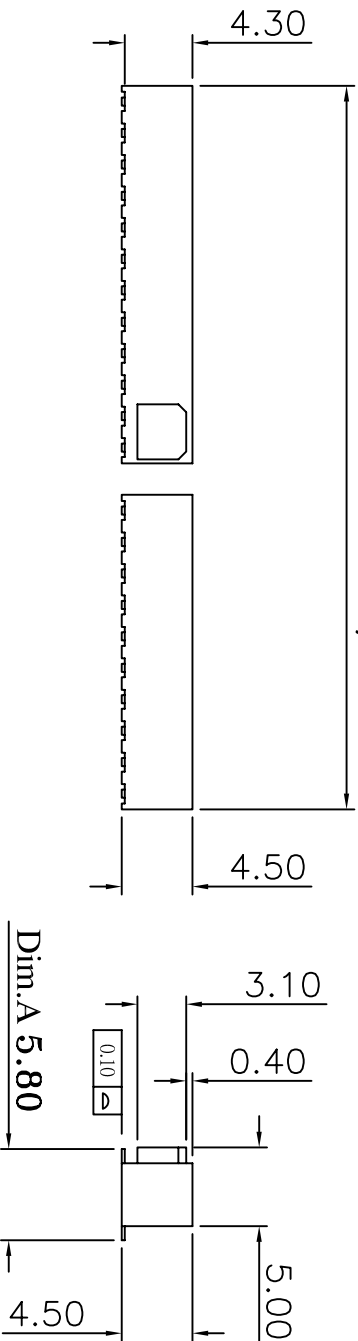


2.0 * No.of contacts/2 -2.0



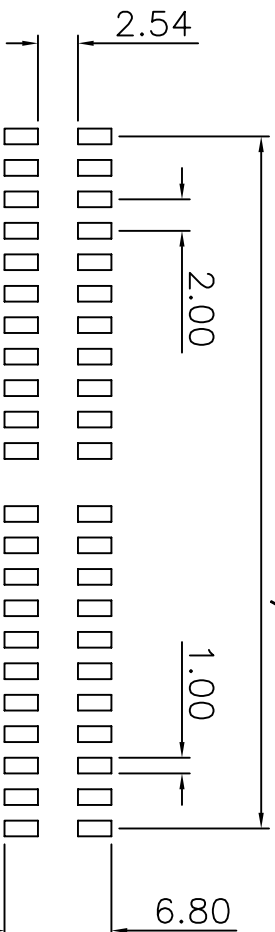
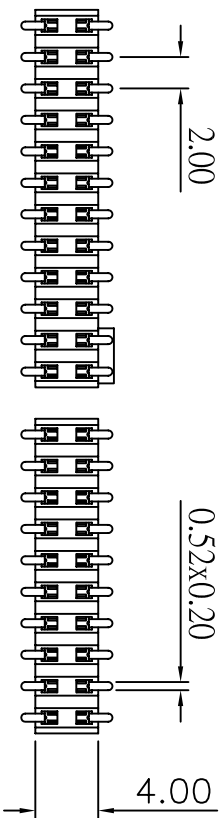
Current Rating: 2 Amps
 Insulator Resistance: 5000 Megohms min
 Contact Resistance: 20 ohms max
 Dielectric Withstanding: 500 V AC
 Operating Temperature: -40 ~ +125° C
 Max Processing Temp: 230° C for 60 seconds
 Max Processing Temp: 260° C for 10 seconds
 Contact Material: Copper Alloy
 Insulator Material: Polyester, UL 94V-0
 Standard: Nylon-6T

2.0 * No.of contacts/2



Recommended P.C. Board
 SMD Layout

2.0 * No.of contacts/2 -2.00



(RoHS Compliant)
 (Halogen-Free)

P2 L 45 P - 2 XX D0 BK X 000 B
 1 2 3 4 5 6 7 8

5. Contact Plated:

T=Matte Tin over Nickel

W=Matte Tin over Nickel

Y=Bright Tin over Nickel

C=Gold Flash

F=Gold Flash,Matte Tin 100u"

A=Gold 3u"

B=Gold 3u",Matte Tin 100u"

D=Gold 5u"

E=Gold 5u",Matte Tin 100u"

G=Gold 10u"

J=Gold 10u",Matte Tin 100u"

L=Gold 15u"

M=Gold 15u",Matte Tin 100u"

U=Gold 30u"

V=Gold 30u",Matte Tin 100u"

6. Special Options

7. Packing:

B= Tube



CONN TOP
 COMPONENT INC.

PART NO

P2L45P-2XXD0BKX000B

.X
 #0.3

.XX
 #0.20

.XXX
 #0.100

1: P2L45P-2XXBKHO

2: P2N45T-203820D

3: 0

DRAWING NO

P20045-00057

EDITION: C

ITEM: P20045

DRAWN BY

GARY

2009/03/18

SCALE: 1:1

TEL: (02)86481727 FAX: (02)86482427

APPROVAL BY

UNIT: m.m