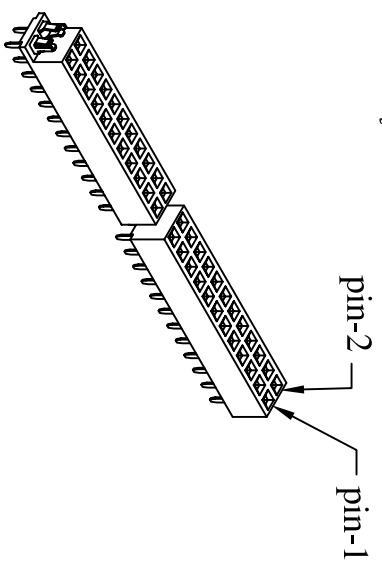
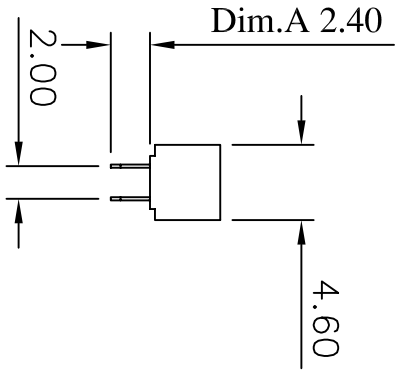
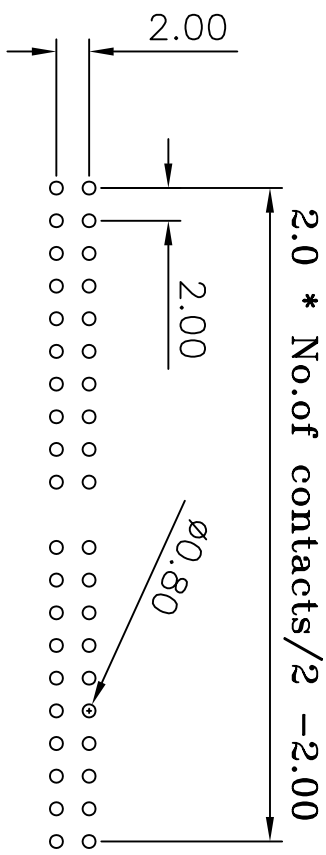


Current Rating: 2 Amps
 Insulator Resistance: 5000 Megohms min
 Contact Resistance: 20 m ohms max
 Dielectric Withstanding: 500 V AC
 Operating Temperature: -40° ~ +105° C
 Max Processing Temp: 230° C for 60 seconds
 260° C for 10 seconds
 Contact Material: Phosphor Bronze
 Insulator Material: Polyester; UL 94V-0
 Standard: Nylon-6T
 Finish: Tin, Gold Plated
 Standard: Gold Flash all over



Recommended P.C. Board Hole Layout



(RoHS Compliant) P2 N 43 - 2 XX S0 BK X 000 X
 1 2 3 4 5 6 7

- Standard: Nylon-6T
- Per ROW 03 to 40
- Tail Style:
 - SO= Straight
 - Color: BK=Black
- Contact Plated:
 - T=Matte Tin over Nickel
 - W=Matte Tin over Nickel 150u"
 - Y=Bright Tin over Nickel
 - C=Gold Flash
 - F=Gold Flash,Matte Tin 100u"
 - A=Gold 3u"
 - B=Gold 3u",Matte Tin 100u"
 - D=Gold 5u"
 - E=Gold 5u",Matte Tin 100u"
 - G=Gold 10u"
 - J=Gold 10u",Matte Tin 100u"
 - L=Gold 15u"
 - M=Gold 15u",Matte Tin 100u"
 - U=Gold 30u"
 - V=Gold 30u",Matte Tin 100u"
- Special Options
 - Packaging:
 - B= Tube
 - C= Troy

		PART NO		P2N43-2XXS0BKX000X		.X		.XXX	
DRAWING NO		DRAWN BY		EDITION:		SCALE:		ITEM:	
1: P2N43-2XXBKHO-H		GARY		C		1:1		P200	
2: P2N43T-2029-01S-E									
3:									
TEL: (02)86481727 FAX: (02)86482427		APPROVAL BY				UNIT: m.m			