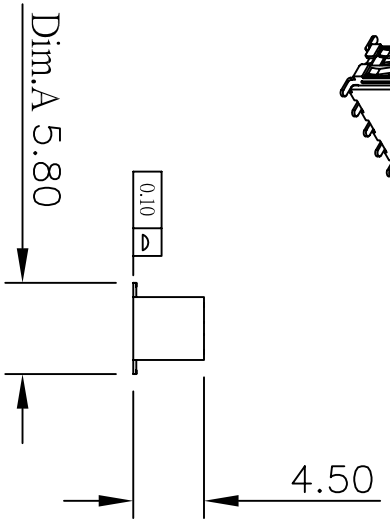
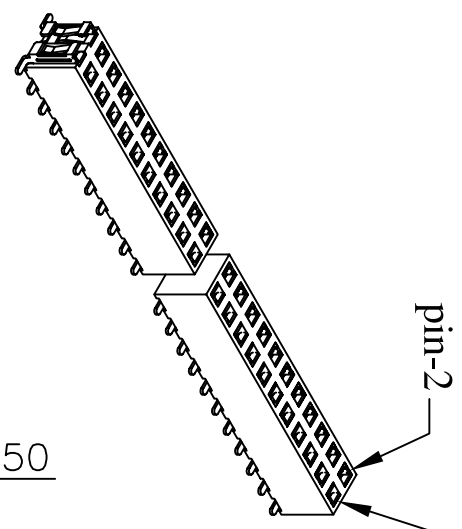
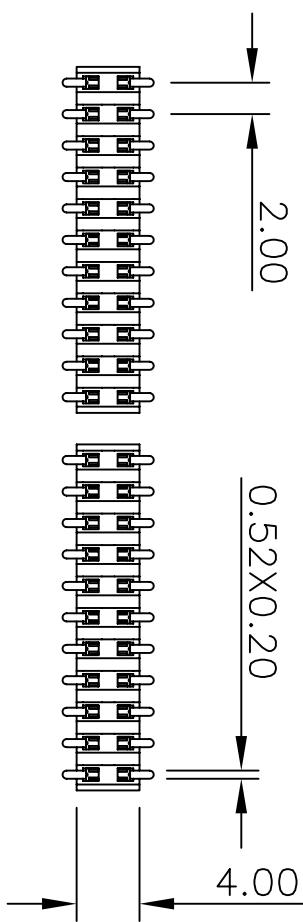
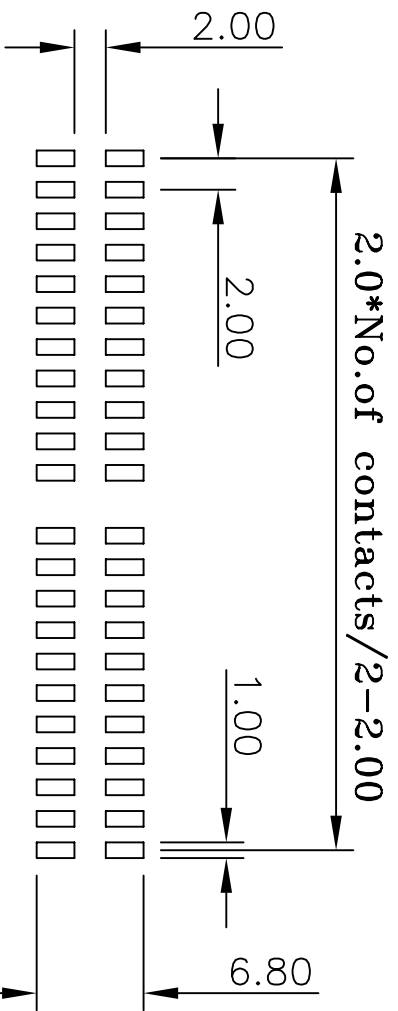


2.0*No.of Contacts/2



Current Rating: 2 Amps
 Insulator Resistance: 5000 Megohms min
 Contact Resistance: 20 m ohms max
 Dielectric Withstanding: 500 V AC
 Operating Temperature: -40° ~ +105° C
 Max Processing Temp: 230° C for 60 seconds
 Contact Material: 260° C for 10 seconds
 Insulator Material: Phosphor Bronze
 Finish: Tin, Gold Plated
 Standard: Nylon-6T
 Polyester, UL 94V-0
 Standard: Nylon-6T

Recommended P.C. Board
 SMD Layout



(RoHS Compliant) P2 N 45 - 2 XX D0 BK X 000 B
 1 2 3 4 5 6 7

- Standard: Nylon-6T
- Per ROW 02 to 40
- Tail Style:
 - D0=SMD No Peg Type
 - D1=SMD With Peg Type
 - Color: BK=Black WH=White
- Contact Plated:
 - T=Matte Tin over Nickel
 - W=Matte Tin over Nickel 150u"
 - Y=Bright Tin over Nickel
 - C=Gold Flash
 - F=Gold Flash,Matte Tin 100u"
 - A=Gold 3u"
 - B=Gold 3u",Matte Tin 100u"
- Special Options:
 - D=Gold 5u"
 - E=Gold 5u",Matte Tin 100u"
 - G=Gold 10u"
 - J=Gold 10u",Matte Tin 100u"
 - L=Gold 15u"
 - M=Gold 15u",Matte Tin 100u"
 - U=Gold 30u"
 - V=Gold 30u",Matte Tin 100u"
- Packaging:
 - B= Tube

		P2N45-2XXD0BKX000-2007/04/03-C	
PART NO	P2N45-2XXD0BKX000B	.X	.XXX
DRAWING NO	P20045-00003	±0.3	±0.20
DRAWN BY	GARY	EDITION: C1	ITEM: P20045
APPROVAL BY		2009/02/20	SCALE: 1:1
TEL:(02)86481727 FAX:(02)86482427		UNIT: m.m	