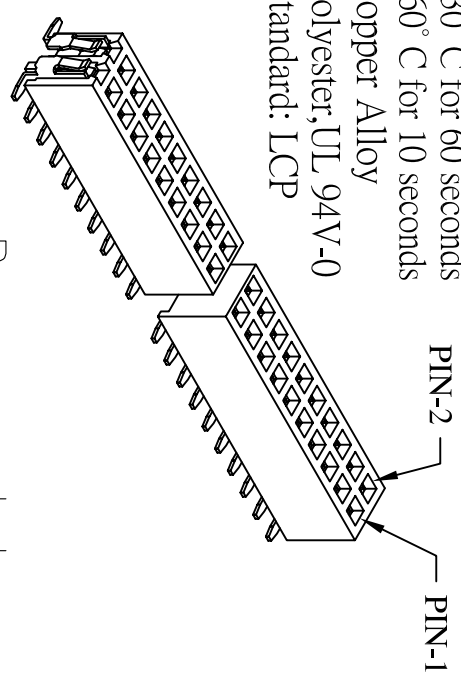
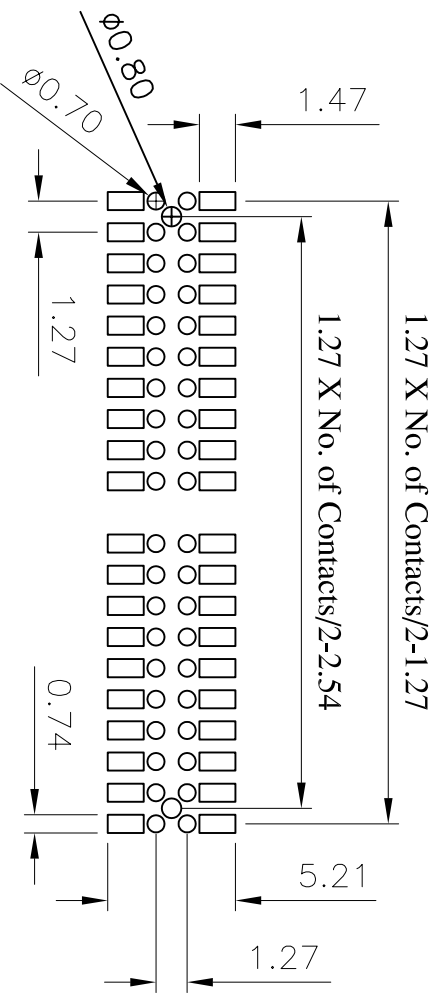
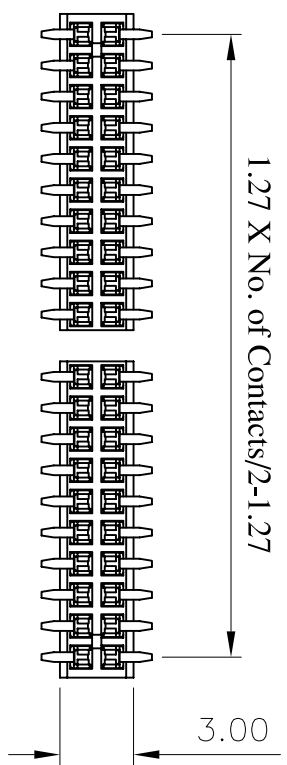


Current Rating: 1 Amps
Insulator Resistance: 5000 Megohms min
Dielectric Withstanding: 500 V AC
Contact Resistance: 20 Mhm ohms max
Operating Temperature: -40° ~ +125° C
Max Processing Temp: 230° C for 60 seconds
Max Processing Temp: 260° C for 10 seconds
Contact Material: Copper Alloy
Insulator Material: Polyester, UL 94V-0
Standard: LCP



Recommended
P.C. Board Layout



(RoHS Compliant)
 (Halogen-Free)
 P3 L 34 - 2 XX D1 BK X 200 B
 1 2 3 4 5 6 7

- Standard: L=LCP
- Per ROW 02 to 50
- Toill Style: D1 = S.M.D With Peg Type
- Color: BK=Black
- Contact Plated: O=Gold Flash
- Special Options: D=Gold 5u", G=Gold 10u", L=Gold 15u", U=Gold 30u"
- Packing: B= Tube

| | | | | | | | | | | | |
|--|--|------------|--|--------------------|--|-------------|--|------------|--|------------|--|
| CONN TOP COMPONENT INC. P3L34-2XXD1BKX200-2007/1/23-C | | PART NO | | P3L34-2XXD1BKX200B | | .X | | .XX | | .XXX | |
| I: P3L34-2XXBKHI BOM 2: P3L34T-1525-01D-20 3: W055 | | DRAWING NO | | P127-00033 | | EDITION: C1 | | ITEM: P127 | | SCALE: 1:1 | |
| TEL:(02)86481727 FAX:(02)86482427 | | DRAWN BY | | GARRY | | 2009/03/02 | | SCALE: 1:1 | | UNTF: m.m | |
| APPROVAL BY | | | | | | | | | | | |