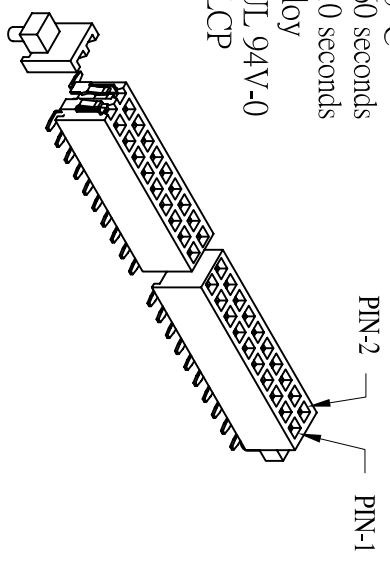
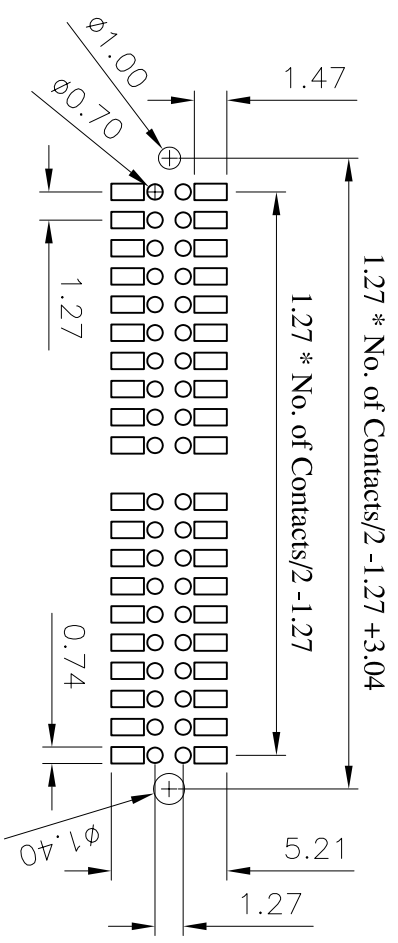
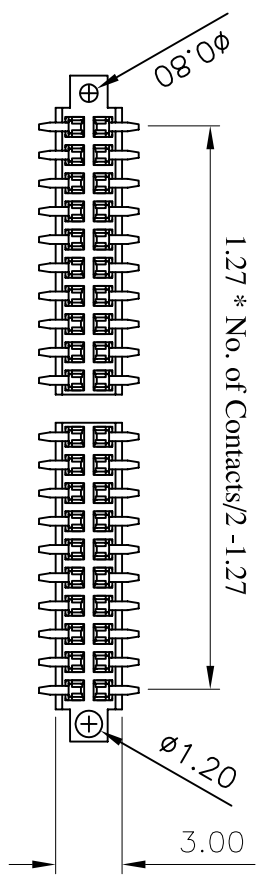


Current Rating: 1 Amps
 Insulator Resistance: 5000 Megohms min
 Dielectric Withstanding: 500 V AC
 Contact Resistance: 20 Mhm ohms max
 Operating Temperature: -40° ~ +125° C
 Max Processing Temp: 230° C for 60 seconds
 Max Processing Temp: 260° C for 10 seconds
 Contact Material: Copper Alloy
 Insulator Material: Polyester, UL 94V-0
 Standard: LCP



Recommended
 P.C. Board Layout



(RoHS Compliant)
 (Halogen-Free)

P3 L 34 - 2 XX D2 BK X 000 B
 1 2 3 4 5 6 7

- Standard: L=LCP
- Per ROW 02 to 50
- Taill Style: D2=With Peg
- Color: BK=Black
- Contact Plated: C=Gold Flash
- Special Options: D=Gold 5u", G=Gold 10u", L=Gold 15u", U=Gold 30u"
- Packing: B= Tube

①:1.27*No.of Positions/2 +0.54-2008/11/08-C1 ②:1.27*No.of Positions/2+0.38-2007/09/11-C ③:4.90-2007/09/11-C ④:1.27-2007/09/11-C ⑤:P3L34-2XXD2BKX000-2007/09/11-C	
CONN TOP COMPONENT INC.	
1:	P3L34-XXBKH2
2:	P3L34T-1525-01D
3:	W005
TEL:(02)86481727 FAX:(02)86482427	

PART NO	P3L34-2XXD2BKX000B	.X	.XXX
DRAWING NO	P127-00081	±0.3	±0.100
DRAWN BY	GARY	EDITION: C2	ITEM: P127
APPROVAL BY		2009/10/08	SCALE: 1:1
		UNIT: m.m	